

CARLISLE

Specialty Tire Catalog - Full Line

Inside



Lawn, Garden and Golf-
Outdoor Power Equipment
Page 2



ATV/UTV-Powersports
Page 18



Trailers, Toy Haulers,
& Towables
Page 40



Ag/Construction
Page 46



Industrial
Page 58



Wheels
Page 64

Quality. Performance. Durability. Value.

To Our Valued Customers:

We invite you to expand the scope of your tire business by offering Carlisle's broad line of application-specific specialty tires. Grow your business as a full-service tire supplier by offering tire products for all-terrain vehicles, trailers and other towables, golf carts, mowers, outdoor power equipment, construction, agricultural, implement, utility and other applications.

Since 1917, Carlisle has been building specialty tire products with a continuing commitment to new product development. In June, Carlisle launched the new RH construction performance radial trailer tire, the Radial Trail RH. The new Radial Trail RH quickly became a flagship product in the Carlisle line, offering beefed up structural integrity and heat resistance for today's tough trailer performance requirements. In January, the Radial Trail RH was named the Official Tire of the American Bass Anglers Tour Series.

For light turf, landscaping, mowing and maintenance, the new 31x15.5-15 Turf Pro Plus R-3 is a turf-friendly addition to Carlisle's R-3 products, featuring rounded shoulder design for minimal turf disturbance, enhanced sidewalls for damage resistance, rim guard protection and an 8 ply rating.

For toy haulers and boat trailers, try our hot new CrossTrax aluminum trailer wheel, now available in a complete range of sizes from 12" to 16".

This Spring Edition of the Carlisle Full-Line Specialty Tire Catalog affords easy access to the latest Carlisle product information, technical specifications, tread designs and applications for the markets we serve:



For additional information, contact your Carlisle Representative.

Thank you for your interest in Carlisle Transportation Products.

TEAM CARLISLE

Carlisle Transportation Products is a Member of, or has affiliations with, the Outdoor Power Equipment Aftermarket Association, the Outdoor Power Equipment Institute, Inc., National Association of Trailer Manufacturers and and the Specialty Equipment Market Association (SEMA).

Table of Contents

Lawn, Garden and Golf- Outdoor Power Equipment 4



TURF SAVER® - Market leading classic, popular for residential mowing applications.	6
TURF SAVER II - Second generation Turf Saver® II with round shoulder design. A value tire for residential applications.	7
TURF TRAC R/S - Very versatile turf tire with balanced profile for pro, consumer and other applications.	7
TURF MASTER®/MULTI TRAC C/S - Carlisle's tire of choice for the professional market.	8-9
ULTRA TRAC - Ultra high flotation tires. Popular for large grounds maintenance equipment applications.	9
FAST TRAX - Unique low profile tire. Aggressive tread and great traction.	10
TURF CTR - Tread lightly with this low impact, round shouldered design.	10
SMOOTH - Turf-friendly smooth profile for pro mowers and grounds maintenance equipment.	11
STRAIGHT RIB - Another top turf care design. Great for ZTR, golf and other applications.	11
WHEELBARROW - Classic Wheelbarrow Rib for lawn carts, spreaders and wheelbarrows.	12
TOUR MAX™ - Upscale choice for golf cars and closed-community vehicles.	13
TURF GLIDE - A traditional course classic featuring shock absorbing sidewalls and round shoulder profile.	13
LINKS - Premium level golf tire product with unmatched stability, durability and puncture resistance.	13
FAIRWAY PRO - A workhorse value delivering maximum golf course service.	13
STUD - Versatile stud tread suitable for a variety of rugged applications.	14
SAWTOOTH - The Carlisle Sawtooth is a functional tread design popular for material handling equipment.	14
SUPER LUG / TRU POWER - Aggressive traction tire often used for tiller and garden tractor applications.	15
CHEVRON - Special lug with bar design for ZTR drive tires and other applications.	16
SNOW HOG - Snow thrower design, with added traction.	16
X-TRAC - Aggressive tread for snow thrower and other push-behind applications.	17

ATV/UTV - Powersports 18



A-C-T - Radial All-Conditions-Tire. Deep self-cleaning open tread.	20
A-C-T HD - Heavy duty All-Conditions-Tire with increased puncture resistance and pressure (PSI) capabilities.	21
AT489 - Powersports Industry favorite. The 489 is light, strong and stable.	22
AT489 X/L - Lightweight, 6-ply rated 489 for exceptional intermediate to hard surface use.	23
AT 489 II - Powersports Industry favorite. The 489 is light, strong and stable.	23
BADLANDS AR - Original equipment spec's. Smooth-riding radial technology.	24
BADLANDS XTR - Beefed up Badlands radial construction with enhanced handling and traction.	24
BLACK ROCK - Versatile conditions tire, but definitely mud trail terrain focused.	25
HD FIELD TRAX - All around Git-R-Done field, farm and general outdoor favorite.	26
KNOBBY - Classic knobby tread design yielding both puncture resistance and traction.	26
MUD WOLF® - Carlisle's trail-capable mudslinger.	27
MUD WOLF® XL - Mud performer offered in additional sizes.	27
STRYKER - Techno-military look with chevron design. All purpose, work ready and self-cleaning.	28
TRAIL WOLF® - Recreational intermediate to hard surface forward traction design with extended wear compound.	29
TRAIL WOLF® SPORT - Recreational rider offering specific front/rear tread designs.	30
TURF TAMER - From competitive track to recreation, the Turf Tamer is a longtime favorite.	31
ALL TRAIL® - Excellent for utility and worksite applications.	32
ALL TRAIL® II - An extension of the All Trail® line. Workhorse applications.	32
TERRATHON - Versatile all-terrain tire. Excellent for OE replacement.	33
ATV/UTV - WHEELS & WHEEL APPLICATIONS	34

Trailers, Toy Haulers, & Towables 40



ULTRA SPORT RADIAL - Performance look radial trailer tire	42
RADIAL TRAIL^{RH} - New, Carlisle's newest and best performing radial trailer tire.	43
USA TRAIL - Complete line of bias products for applications requiring durable performance.	44
SPORT TRAIL - Sport Trail and Sport Trail LT bias construction products.	46

Ag/Construction 46



FARM SPECIALIST® F-2 - Triple rib front for improved steering in loose soil.	48
FARM SPECIALIST® F-2M - Quad rib front design. Flotation and variable soil steering.	48
FARM SPECIALIST® FARM IMPLEMENT F-I - Highway Service Implements.	49
FARM SPECIALIST® HF-1 - Wide flotation Implement tire for balers, wagons and harvest equipment.	50
FARM SPECIALIST® I-1 - Implement tire for wagons, tankers, seeders, balers and other flotation applications.	50-51
FARM SPECIALIST® F-3 - Industrial front for industrial service application.	51
FARM SPECIALIST® R-1 - Multi-angle long bar tread for general farming applications.	52
FARM SPECIALIST® R-1-HA - High-angle straight bar tread for classic appearance.	52
TURF PRO R-3 - Flotation tread design for general turf and mowing applications.	53
MULTI TRAC CS R-3 - For general turf and mowing applications for minimal ground disturbance.	53
XTRA GRIP R-4 - Heavy duty design for backhoe and industrial applications.	53
WT300 - New turf-friendly compact skid steer tractor design for landscaping and other light duty applications.	53
ULTRA GUARD® - Severe service skid steer with, open shoulder tread design.	54
ULTRA GUARD® LVT - Extreme service skid steer tire with low void tread area.	54
GUARD DOG® HD - HD Premium level performance for skid steer and backhoe applications.	55
TRAC CHIEF® - Standard duty Skid steer and tractor traction applications.	56
TRAC CHIEF® I-3 - Outstanding choice for backhoe applications. Traction implement design.	56
TRAC CHIEF® XT - Standard duty full traction skid steer designs in extra load ratings.	57
USA LOADER - Aerial platform lifts, backhoes, and skid steer tractor applications.	57

Industrial 58



GROUND FORCE ULTRA RIB GSE - Deep tread design with premium compounding for ground support equipment.	60
PREMIUM WIDE TRAC - Forklift and material handling applications - premium levels	61
INDUSTRIAL DEEP TRACTION - Standard service application for forklifts.	62
ROAD ROLLER - Heat resistance design for paving equipment.	62
INDUSTRIAL ALL PURPOSE - Multi-purpose tire for industrial equipment.	62

Wheels 64



AG WHEELS - Steel - Unboxed	66
TRAILER WHEELS - Steel - Unboxed - Palletized	67
TRAILER WHEELS - Steel - Boxed Trailer Wheel Program	68
TRAILER WHEELS - Aluminum	72
BLACK ROCK TOY HAULER SERIES - Aluminum Trailer Wheels	74

Tubes and Flaps 80



TUBE FITMENTS & APPLICATIONS	82
TUBE STEMS	88

Warranty, Information, Carlisle Tire Quick Reference Guide 89

WARRANTY	89
NOTICE	91
TRAILER TIRES: TIPS & BEST PRACTICES	92
NOTES	94
TIRE QUICK REFERENCE GUIDE	96



Lawn, Garden and Golf

Outdoor Power Equipment

Lawn, Garden, Golf, Outdoor Power Equipment

TREAD VIEW QUICK REFERENCE GUIDE



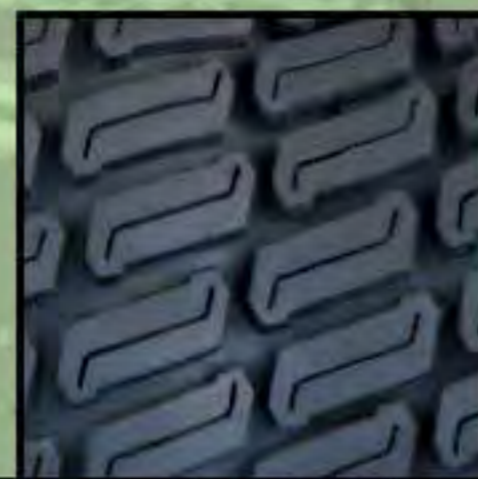
TURF SAVER®
Page 6



TURF SAVER II
Page 7



TURF TRAC R/S
Page 7



TURF MASTER®
Page 8-9



MULTI-TRAC C/S
Page 8-9



ULTRA TRAC
Page 9



FAST TRAC
Page 10



TURF CTR
Page 10



SMOOTH
Page 11



STRAIGHT RIB
Page 11



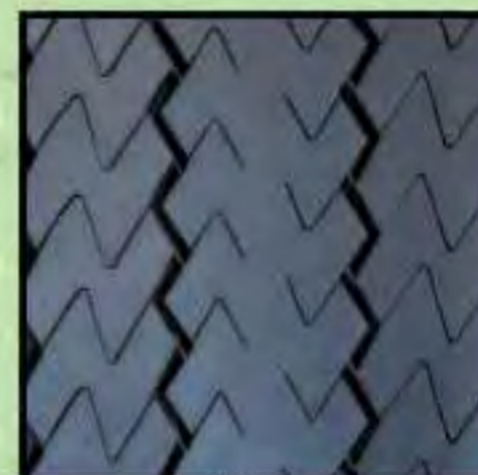
WHEELBARROW
Page 12



TOUR MAX™
Page 13



TURF GLIDE
Page 13



LINKS
Page 13



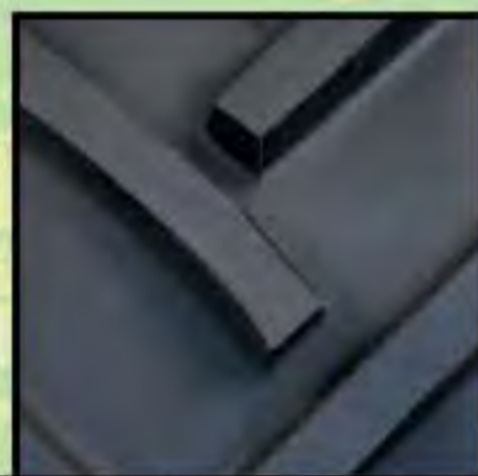
FAIRWAY PRO
Page 13



STUD
Page 14



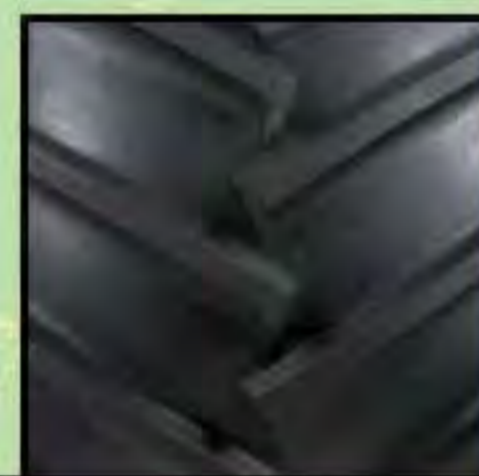
SAWTOOTH
Page 14



SUPER LUG
Page 15



TRU POWER
Page 15



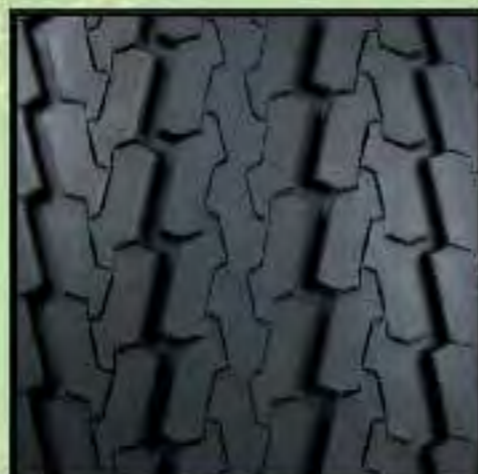
CHEVRON
Page 16



SNOW HOG
Page 16



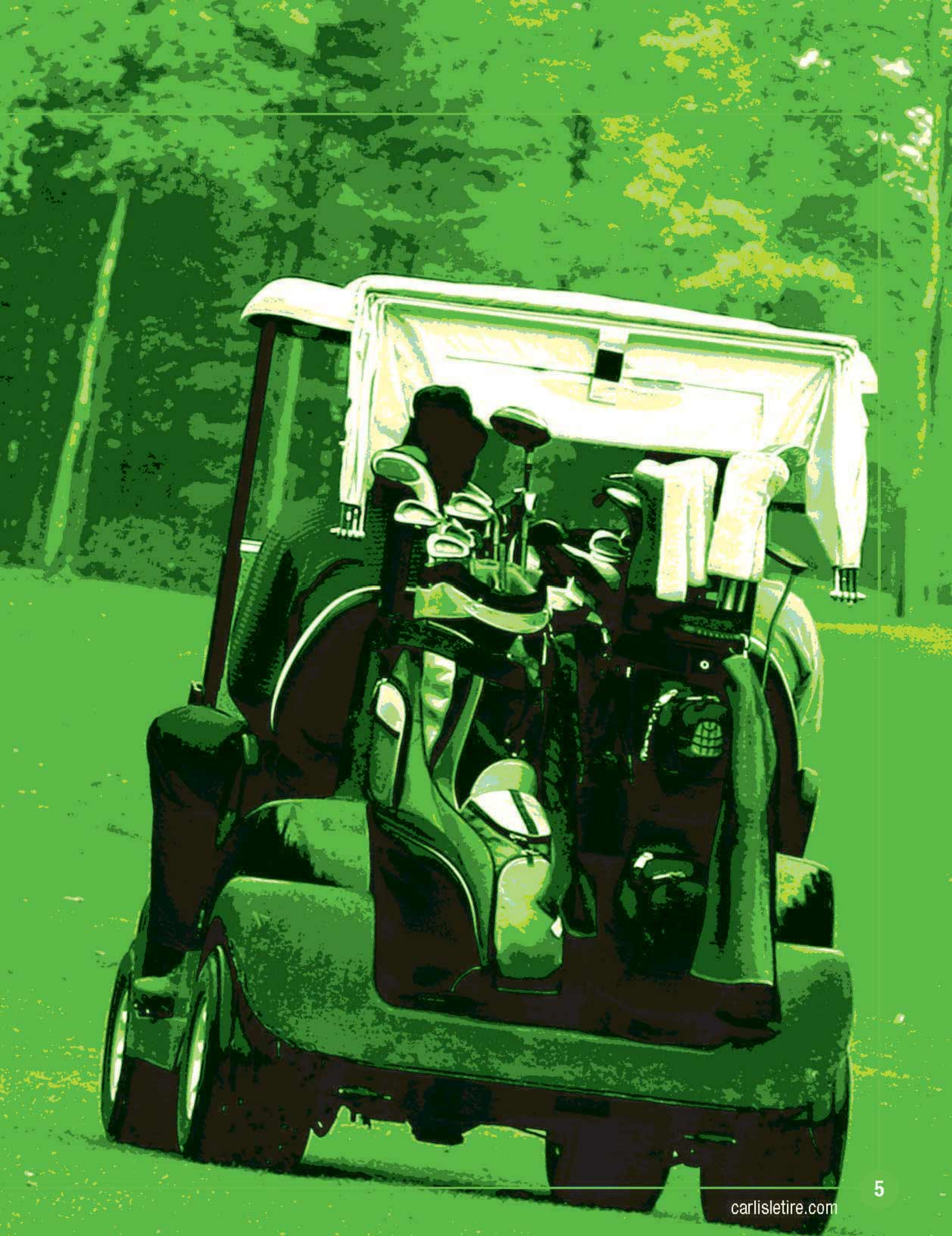
X-TRAC
Page 17



INDUSTRIAL TRAC
Page 17

A wide selection of turf proven, purpose-designed tread offerings coupled with application-based, puncture resistant compounding makes Carlisle a leading source for outdoor power equipment turf specialty tires.

Carlisle. Tires that work (and play) as hard as you do.™





Lawn, Garden and Golf

Outdoor Power Equipment

Consumer, Commercial Turf Equipment, Golf Cars & Utility Vehicles



TURF SAVER



TURF SAVER® *Extra-wide, extra-care to prevent turf damage*

With its classic square shouldered design, Carlisle Turf Saver is the market leader for residential riding lawn mowers worldwide. The flat profile and chevron tread provide excellent traction. Turf friendly design and breadth of line make it versatile in both application and fitment.

Size	Product Code	Ply	Mounted Diameter	Mounted Width	Rim Width	Max Load Capacity @ 10 MPH	Max PSI	Tire Weight
9 x 3.50 - 4	5110111	4	8.8	3.6	2.50	260	50	2.0
4.10 - 4	5110251	2	10.9	3.8	2.50	225	24	2.8
11 x 4.00 - 4	5110271	2	11.2	4.1	2.50	225	24	3.0
11 x 4.00 - 5	5110101	2	10.9	4.0	3.00	210	22	3.2
13 x 5.00 - 6	5110201	2	12.8	4.7	3.50	290	20	3.5
13 x 5.00 - 6	5110211	4	13.0	4.8	3.50	440	40	4.5
13 x 6.50 - 6	5111851	2	13.3	6.5	4.50	320	14	6.0
13 x 6.50 - 6	5111861	4	13.4	6.3	4.50	480	28	5.9
15 x 6.00 - 6	5110301	2	14.3	6.4	4.50	365	14	4.8
16 x 6.50 - 8	5110951	2	16.3	6.6	5.38	410	14	6.6
16 x 6.50 - 8	5110961	4	16.4	6.4	5.38	615	28	7.0
16 x 7.50 - 8	5112001	2	16.4	7.0	5.38	480	12	8.1
4.80 - 8	5112501	2	16.5	4.8	3.75	440	20	5.7
18 x 6.50 - 8	5110981	2	17.2	6.4	5.38	520	14	7.3
18 x 6.50 - 8	5110991	4	17.2	6.5	5.38	760	28	8.0
18 x 7.50 - 8	5111021	4	18.0	7.2	5.38	805	24	9.6
18 x 8.50 - 8	5110701	2	17.9	8.2	7.00	520	10	9.5
18 x 8.50 - 8	5110711	4	18.2	8.2	7.00	825	22	10.4
18 x 9.50 - 8	5110841	2	17.8	9.5	7.00	695	12	9.8
18 x 9.50 - 8	511081	4	18.1	9.6	7.00	1020	24	10.8
18 x 9.50 - 8	511082	6	18.5	9.5	7.00	1295	36	11.5
20 x 8.00 - 8	5110801	2	19.2	9.0	7.00	600	10	13.4
20 x 10.00 - 8	5111011	2	19.6	10.4	7.00	760	10	12.1
20 x 8.00 - 10	511111	4	20.0	7.9	6.00	910	24	13.4
20 x 10.00 - 10	511116	4	20.3	8.8	6.00	1225	24	12.1
21 x 7.00 - 10	511140	2	20.2	6.9	5.00	640	12	10.44
22 x 9.50 - 12	511051	2	21.3	8.9	7.00	785	12	13.0
23 x 8.50 - 12	511090	2	23.1	8.5	7.00	715	10	13.8
23 x 9.50 - 12	511100	2	23.2	9.4	7.00	920	12	14.1
23 x 10.50 - 12	511120	2	22.6	10.5	8.50	880	10	14.9
23 x 10.50 - 12	511121	4	22.8	10.3	8.50	1320	20	18.6
24 x 12.00 - 12	511075	2	23.0	11.6	8.50	1140	10	19.0

All Lawn, Garden and Golf are Non-Highway Service Tires



TURF SAVER II

TURF TRAC R/S

TURF SAVER II

The Turf Saver II is a modified version of the Turf Saver. It features a round shoulder profile and is designed for use on residential riding lawn mowers. It is also commonly used for towable lawn carts, spreaders, sprayers and other mower attachments.

Size	Product Code	Ply	Mounted Diameter	Mounted Width	Rim Width	Max Load Capacity @ 10 MPH	Max PSI	Tire Weight
13 x 5.00 - 6	5112201	2	12.5	4.5	3.50	290	20	3.3
15 x 6.00 - 6	5112301	2	14.3	5.9	4.50	365	14	4.3
16 x 6.50 - 8	5112951	2	16.1	6.2	5.38	410	14	5.9
18 x 8.50 - 8	5112701	2	17.6	8.2	7.00	520	10	7.8
18 x 9.50 - 8	511284	2	17.8	9.1	7.00	695	12	6.7
20 x 8.00 - 8	5112801	2	19.1	8.9	7.00	600	10	9.5

TURF TRAC R/S

Carlisle's Turf Trac R/S offers all-around performance with a balanced profile and ample tread depth. Applications range from residential zero turn mowers to utility vehicles. The variety of sizes available corresponds to the many possible uses.

Size	Product Code	Ply	Mounted Diameter	Mounted Width	Rim Width	Max Load Capacity @ 10 MPH	Max PSI	Tire Weight
11 x 4.00 - 5	5753331	2	10.6	4.0	3.00	210	22	2.8
15 x 6.00 - 6	5753191	4	14.4	6.3	4.50	565	30	6.1
16 x 6.50 - 8	575304	4	16.0	6.9	5.38	615	28	6.9
18 x 8.50 - 8	5753311	4	17.7	8.1	7.00	825	22	10.5
20 x 10.00 - 8	575341	4	19.5	9.9	7.00	1200	22	9.5
22.5 x 10.00 - 8	5753B7	4	22.6	10.0	7.00	1390	22	16.2
25 x 12.00 - 9	50D3T7	4	25.7	11.5	9.00	1820	20	18.0
20 x 10.00 - 10	50D362	4	19.6	9.4	8.00	1170	22	13.3
20 x 12.00 - 10	575315	4	19.5	12.0	8.50	1320	20	14.5
22 x 9.50 - 10	5753N1	4	21.7	9.5	7.75	975	14	14.3
24 x 9.50 - 10	5753P2	4	24.0	9.5	7.00	1420	22	16.8
24 x 12.00 - 10	5753A6	4	24.5	11.5	7.75	1710	20	21.0
23 x 10.50 - 12	575367	4	22.8	10.4	8.50	1390	20	12.8
24 x 12.00 - 12	575390	6	23.3	11.0	8.50	2270	32	20.9
26 x 12.00 - 12	50D363	10	25.3	12.4	10.50	3300	52	24.9

All Lawn, Garden and Golf are Non-Highway Service Tires

FAST FACTS

Did you know? Round shoulder tires offer a footprint that increases maneuverability while minimizing damage to the turf while turning.



Lawn, Garden and Golf

Outdoor Power Equipment

TURF MASTER

Consumer, Commercial Turf Equipment, Golf Cars & Utility Vehicles



TURF MASTER®/MULTI-TRAC C/S

MULTI-TRAC C/S

Our Turf Master/Multi Trac line is the choice for professional users requiring the highest performance and dependability from their equipment. These commercial grade tires feature our most durable tread compound with deep tread elements in a profile optimized for stability and traction.

Tire	Size	Product Code	Ply	Mounted Diameter	Mounted Width	Rim Width	Max Load Capacity @ 10 MPH	Max PSI	Tire Weight
TM	13 x 6.50 - 6	5112491	4	13.4	6.1	4.50	480	28	5.8
TM	15 x 6.00 - 6	5112521	4	14.4	6.0	4.50	565	30	6.1
TM	15 x 6.50 - 8	5112531	2	15.0	6.2	5.38	385	14	6.2
TM	16 x 6.50 - 8	5114011	4	16.5	6.3	5.38	515	28	7.0
TM	16 x 7.50 - 8	5114021	4	16.5	7.0	5.38	675	24	8.9
TM	18 x 6.50 - 8	5114171	4	17.4	6.4	5.38	760	28	7.7
MTCS	18 x 7.00 - 8	574351	4	18.0	7.0	5.38	785	26	8.6
TM	18 x 8.50 - 8	5114041	4	18.3	8.1	7.00	825	22	10.5
MTCS	18 x 8.50 - 8	574365	8	17.6	8.3	7.00	1280	44	14.3
TM	18 x 9.50 - 8	5114131	4	18.1	9.2	7.00	1040	24	11.9
MTCS	18 x 9.50 - 8	574399	6	18.2	9.3	7.00	1295	36	12.1
MTCS	20 x 8.00 - 8	574359	2	19.2	9.1	7.00	600	10	12.9
TM	20 x 10.00 - 8	511405	4	19.6	10.4	7.00	1200	22	13.6
MTCS	18 x 8.50 - 10	5743U1	4	18.2	8.1	7.00	825	22	10.4
MTCS	18 x 10.50 - 10	5743E5	4	17.8	10.2	8.50	995	20	12.6
TM	20 x 10.00 - 10	511416	4	20.0	8.8	6.00	1170	22	13.6
MTCS	20 x 10.00 - 10	5743C2	6	19.6	9.6	8.00	1430	32	17.6
TM	20 x 8.00 - 10	5114281	4	20.2	8.1	6.00	910	24	14.1
TM	20 x 12.00 - 10	511257	4	20.1	10.3	8.00	1320	20	14.9
TM	22 x 11.00 - 10	511255	4	21.7	10.1	7.00	1480	20	17.6
TM	22 x 9.50 - 12	511433	4	21.9	9.1	7.00	1305	24	14.7
TM	23 x 8.50 - 12	511419	4	22.9	8.4	7.00	1100	22	15.5
MTCS	23 x 8.50 - 12	574372	6	22.5	8.3	7.00	1430	34	18.9
MTCS	23 x 9.50 - 12	574329	4	22.7	9.3	7.00	1505	20	15.6
TM	23 x 10.50 - 12	511408	4	22.8	10.0	8.50	1390	20	16.3
MTCS	23 x 10.50 - 12	574353	6	22.5	10.2	8.50	1760	32	23.1
TM	24 x 9.50 - 12	511434	4	23.7	9.6	7.00	1500	24	21.1
MTCS	25 x 9.00 - 12	574368	4	24.9	9.5	8.00	1520	24	18.4
MTCS	25 x 11.00 - 12	574369	4	25.2	10.8	8.00	1825	24	22.6
TM	24X12.00-12	511409	4	23.3	11.4	8.50	1710	20	24.4
MTCS	26 x 12.00 - 12	574361	4	25.5	11.4	8.50	1760	20	26.4
MTCS	26 x 12.00 - 12	574377	6	25.3	11.5	8.50	2270	30	28.4
MTCS	24 x 8.50 - 14	574324	4	23.8	8.5	7.00	1230	22	17.9
MTCS	25 x 8.50 - 14	574339	4	25.0	8.6	7.00	1320	22	19.9

All Lawn, Garden and Golf are Non-Highway Service Tires

PRICES AND PRODUCT SPECIFICATIONS SUBJECT TO CHANGE WITHOUT NOTICE. PRODUCT AVAILABILITY SUBJECT TO INVENTORY.



TURF MASTER®/MULTI-TRAC C/S, Continued

Tire	Size	Product Code	Ply	Mounted Diameter	Mounted Width	Rim Width	Max Load Capacity @ 10 MPH	Max PSI	Tire Weight
MTCS	25 x 8.50 - 14	574371	6	24.9	8.6	7.00	1650	32	23.4
MTCS*	27 x 8.50 - 15	574348	4	26.6	8.5	7.00	1230	30	25.1
MTCS*	27 x 8.50 - 15	574356	6	26.6	8.6	7.00	1570	45	25.4
MTCS*	27 x 10.50 - 15	5743H6	4	26.9	10.2	8.00	1320	30	29.1
MTCS*	27 x 10.50 - 15	560371	8	27.0	10.5	8.50	1870	60	32.6
MTCS*	29 x 12.50 - 15	560478	10	29.0	12.5	10.00	2470	60	39.7
MTCS*	31 x 13.50 - 15	560362	4	31.5	13.5	10.00	1650	20	46.0

All Lawn, Garden and Golf are Non-Highway Service Tires
*Max load @ 30MPH



ULTRA TRAC

The Carlisle Ultra Trac is the right approach for those specialized applications where high flotation is essential. Ultra Tracs are wide with a flat footprint and reduced void in the tread. These features yield low ground pressure and good traction while preserving the turf. Ultra Trac tires are most often utilized on golf and grounds maintenance equipment.

Size	Product Code	Ply	Mounted Diameter	Mounted Width	Rim Width	Max Load Capacity @ 10 MPH	Max PSI	Tire Weight
24 x 13.00 - 12	529368	4	23.0	12.9	10.50	1760	18	28.2
24 x 13.00 - 12	529387	6	23.4	12.9	10.50	2270	28	28.4
26.5 x 14.00 - 12	529386	4	26.5	14.4	10.50	2150	18	33.0
29 x 14.00 - 15*	5293E6	6	28.6	14.3	11.00	1710	30	47.0

All Lawn, Garden and Golf are Non-Highway Service Tires
*Max load @ 30MPH

FAST FACT

Did you know? Squared shoulder tires are designed to achieve a larger, flatter footprint while providing high flotation, enhanced traction and a more rugged appearance.



Lawn, Garden and Golf

Outdoor Power Equipment

Lawn, Garden and Golf
Outdoor Power Equipment

Consumer, Commercial Turf Equipment, Golf Cars & Utility Vehicles



FAST TRAX

Fast Trax is a moderately aggressive, low profile drive tire with a wide flat profile. The tire is typically used on professional riding mowers where excellent hillside traction is desired.

Size	Product Code	Ply	Mounted Diameter	Mounted Width	Rim Width	Max Load Capacity @ 10 MPH	Max PSI	Tire Weight
18 x11.00-10 NHS	501043	4	17.7	9.7	8.50	1100	22	14.1

All Lawn, Garden and Golf are Non-Highway Service Tires



TURF CTR

Carlisle's Turf CTR is a round shouldered, low impact tire usually seen on professional ZTR mowers when treading lightly is critical.

Size	Product Code	Ply	Mounted Diameter	Mounted Width	Rim Width	Max Load Capacity @ 10 MPH	Max PSI	Tire Weight
22 x 11.00 - 8	511501	4	22.4	10.8	9.00	935	10	13.8

All Lawn, Garden and Golf are Non-Highway Service Tires

FAST FACTS:

Did you know? The load carrying capacity of a tire is determined by air pressure and air volume. Tire construction determines the constraints on the air pressure and air volume.



Smooth Operators

Transport Vehicles, Riding Mowers, Garden Tractors, Farm Equipment & Wheelbarrows



SMOOTH

Carlisle's Smooth and Rib tires lead the way on front swivel casters for professional ZTR mowers. These tough tires withstand long hours of cutting leaving no trace of their path. Larger sizes are applications for golf and grounds maintenance equipment.

Size	Product Code	Ply	Mounted Diameter	Mounted Width	Rim Width	Max Load Capacity @ 10 MPH	Max PSI	Tire Weight
8 x 3.00 - 4	5120081	4	8.20	2.9	2.50	120	30	1.7
9 x 3.50 - 4	5120101	4	8.9	3.7	2.50	260	50	2.6
11 x 4.00 - 5	5120111	4	11.2	4.1	3.50	330	46	2.9
13 x 5.00 - 6	5120211	4	12.70	4.8	3.50	440	40	4.3
13 x 6.50 - 6	5121861	4	12.90	5.9	4.50	480	28	5.3
4.80 - 8	5120511	4	16.80	4.8	3.75	760	70	4.2
18 x 9.50 - 8	510981	4	17.70	9.3	7.00	1020	24	10.2
18 x 10.50 - 10	586310	2	18.10	9.8	8.00	740	12	12.7
20 x 10.00 - 10	586325	2	19.60	9.5	8.50	815	12	11.7

All Lawn, Garden and Golf are Non-Highway Service Tires.

STRAIGHT RIB

Size	Product Code	Ply	Mounted Diameter	Mounted Width	Rim Width	Max Load Capacity @ 10 MPH	Max PSI	Tire Weight
11 x 4.00 - 4	5110921	4	10.4	4.1	2.50	330	46	3.2
11 x 4.00 - 5	5180111	4	11.1	4.2	3.00	330	46	3.2
13 x 5.00 - 6	5180211	4	12.8	4.7	3.50	440	40	4.3
13 x 6.50 - 6	5181861	4	13.0	5.9	4.50	480	28	5.3
15 x 6.00 - 6	5180311	4	14.4	6.1	4.50	565	30	5.9
16 x 6.50 - 8	5180961	4	16.0	6.5	5.38	615	28	6.2
18 x 9.50 - 8	518081	4	17.7	9.3	7.00	1020	24	10.2
20 x 10.00 - 10	518116	4	20.0	8.7	6.00	1170	22	13.7
26 x 12.00 - 12	518711	4	25.0	11.7	10.50	1760	20	20.7

All Lawn, Garden and Golf are Non-Highway Service Tires.

FAST FACTS:

Did you know? Maintain air pressure at or near the maximum PSI stated on the sidewall of the tire for maximum tire life and performance.



Lawn, Garden and Golf

Outdoor Power Equipment

Smooth Operators

Transport Vehicles, Riding Mowers, Garden Tractors, Farm Equipment & Wheelbarrows



WHEELBARROW

Whatever the load or task our Wheelbarrow Rib tires are up to the challenge. Lawn carts, spreaders, and wheelbarrows are the most common applications for these tires.

Size	Product Code	Ply	Mounted Diameter	Mounted Width	Rim Width	Max Load Capacity @ 10 MPH	Max PSI	Tire Weight
4.00 - 6	5134371	2	13.7	4.0	2.50	330	30	2.4
4.80 - 8	5134511	2	15.8	3.8	2.50	550	30	3.1
4.80 - 8	5130511	4	16.5	4.6	3.75	765	70	4.3

All Lawn, Garden and Golf are Non-Highway Service Tires

FAST FACTS:

Did you know? A tube-type tire can only be used with a tube. A tubeless tire can be used with or without a tube. A tubeless tire has an inner liner of butyl rubber which is less permeable by air.



Golf Gliders
Golf Carts and Utility Vehicles



Lawn, Garden and Golf
Outdoor Power Equipment

TOUR MAX™

TOUR MAX™

TURF GLIDE

LINKS

FAIRWAY PRO™

The Tour Max is a low profile, smooth riding tire designed primarily for golf cars and closed community vehicles. The tread pattern, rubber compound, and tire construction provide maximum durability and ride comfort on hard surface paths.

Size	Product Code	Ply	Mounted Diameter	Mounted Width	Rim Width	Max Load Capacity @ 10 MPH	Max PSI	Tire Weight
18.5 x 8.5 R8	519148	LRB	18.1	8.1	7.00	675	30	12.3
205/50 - 10**	519146	LRB	18.3	7.8	6.00	675	30	13.0

** DOT Approved

TURF GLIDE

One of the original golf cart tires, the Turf Glide has a tall sidewall to absorb impact and a turf friendly round contour profile.

Size	Product Code	Ply	Mounted Diameter	Mounted Width	Rim Width	Max Load Capacity @ 10 MPH	Max PSI	Tire Weight
8.00 - 6*	508040	4	17.6	7.1	3.25	410	20	8.7

*Tube Type

LINKS

The Carlisle Links is the premier tire for the golf car market. Links features a wide footprint, strong sidewall, and long wear rubber compound providing unmatched stability and durability.

Size	Product Code	Ply	Mounted Diameter	Mounted Width	Rim Width	Max Load Capacity @ 10 MPH	Max PSI	Tire Weight
18 x 8.50 - 8	5192711	4	17.4	8.6	7.00	825	22	11.7

FAIRWAY PRO*

Fairway Pro is an excellent value providing long hours of dependable performance on the course.

Size	Product Code	Ply	Mounted Diameter	Mounted Width	Rim Width	Max Load Capacity @ 10 MPH	Max PSI	Tire Weight
18 x 8.50 - 8	5189761	4	18.2	8.4	7.00	825	22	11.7

*One Year Warranty
All Lawn, Garden and Golf are Non-Highway Service Tires



Lawn, Garden and Golf

Outdoor Power Equipment

Gripping Performers

Utility Carts, Wheelbarrows, Pressure Washers, Generators, Hand Trucks, Lawn Equipment, and Fun Carts



STUD

Stud and Sawtooth tires are used in many of the same small industrial product applications. Hand trucks, industrial carts, and pressure washers are examples of equipment that utilize these tires. The stud pattern has an aggressive appearance with excellent traction while the sawtooth offers smooth rolling performance.

Size	Product Code	Ply	Mounted Diameter	Mounted Width	Rim Width	Max Load Capacity @ 10 MPH	Max PSI	Tire Weight
4.10 - 4	5160251	2	10.6	3.6	2.50	225	24	2.6
4.10 - 5	5160301	2	11.6	3.8	3.00	260	24	2.5
4.10 - 6	5160351	2	12.5	3.9	3.25	290	24	3.1
4.80 - 8	5160501	2	16.4	4.7	3.75	440	20	5.1
4.80 - 8	5164291	4	16.3	4.7	3.75	670	42	5.8



SAWTOOTH

Size	Product Code	Ply	Mounted Diameter	Mounted Width	Rim Width	Max Load Capacity @ 10 MPH	Max PSI	Tire Weight
2.80 - 4	5190011	4	9.0	2.9	2.50	180	50	1.7
4.10 - 4	5190251	2	10.6	3.6	2.50	225	24	2.5
4.10 - 4	5190261	4	10.6	3.7	2.50	350	50	2.8
4.10/3.50 - 6	5190361	4	13.1	4.2	3.25	495	85	4.1
5.30/4.50 - 6	519067	6	14.6	5.3	3.50	885	95	5.5
4.80/4.00 - 8	5190501	2	16.0	4.6	3.75	510	35	5.1

All Gripping Performers are Non-Highway Service Tires

PRICES AND PRODUCT SPECIFICATIONS SUBJECT TO CHANGE WITHOUT NOTICE. PRODUCT AVAILABILITY SUBJECT TO INVENTORY.



Big Biters

Riding Mowers, Garden Tractors, Snow Throwers, Tillers, ATV's and Utility Vehicles



SUPER LUG, POWER TRAC AND TRU POWER

SUPER LUG

POWER TRAC

TRU POWER

Super Lug, Tru Power, and Power Trac tires are most often found on garden tractors, tillers, and trenchers. Our powerful line of ag lug tires is the right choice whenever the application requires substantial traction.

Tire	Size	Product Code	Ply	Mounted Diameter	Mounted Width	Rim Width	Max Load Capacity @ 10 MPH	Max PSI	Tire Weight
SL	13 x 5.00 - 6	5100201	2	13.1	4.5	3.50	290	20	3.8
SL	14 x 4.50 - 6	5100251	2	14.5	4.5	3.25	320	20	4.4
SL	16 x 6.50 - 8	5100961	4	16.5	6.3	5.38	615	28	6.8
PT	4.80 - 8	5109501	2	16.2	4.1	2.50	440	20	6.0
SL	18 x 9.50 - 8	510080	2	18.1	8.8	7.00	695	12	12.2
SL	20 x 10.00 - 8	510101	4	20.1	9.7	7.00	1200	22	17.2
TP	18 x 8.50 - 10	523311	4	18.1	7.8	6.00	825	22	10.7
TP	6-12	5233C3	4	22.8	5.5	4.00	590	28	12.8
TP	23 x 8.50 - 12	523301	4	22.6	8.3	7.00	1100	22	16.4
TP	23 x 10.50 - 12	523367	4	23.3	10.4	7.00	1390	20	23.6
TP	26 x 12.00 - 12	523361	4	25.6	12.3	8.50	1760	20	30.5
TP	26 x 12.00 - 12	523360	8	25.6	12.3	8.50	3000	42	35.0
TP*	29 x 12.50 - 15	5233D4	6	29.3	11.6	10.50	1650	30	42.4
TP*	31 x 15.50 - 15	5233A4	8	31.4	15.1	13.00	2760	45	74.5

All Big Biters are Non-Highway Service Tires

*Max load @ 30MPH

FAST FACTS:

Did you know? For every 10 degree change in ambient air temperature you may experience a change in air pressure of approximately 1 PSI (pound per square inch) on a tire and wheel assembly.



Lawn, Garden and Golf

Outdoor Power Equipment

Big Biters

Riding Mowers, Garden Tractors, Snow Throwers, Tillers, ATV's and Utility Vehicles



AT101 CHEVRON

The AT101 Chevron is a specialty lug design with bars that taper in the shoulder area. This feature, along with muted lug depth, allows it to be used as a drive tire on zero turn mowers when extra traction is needed.

Size	Product Code	Ply	Mounted Diameter	Mounted Width	Rim Width	Max Load Capacity @ 10 MPH	Max PSI	Tire Weight
21 x 11.00 - 8	599044	4	21.0	10.8	8.50	1390	22	14.5
21 x 11.00 - 10	599050	4	20.9	10.4	8.50	1390	22	15.3
24 x 12.00 - 12	560352	4	24.0	12.0	9.50	1710	20	22.8

All Big Biters are Non-Highway Service Tires



SNOW HOG

With its distinctive "X" shaped tread elements, the Carlisle Snow Hog stands out from the crowd. It is primarily used on snow throwers but can be considered whenever superior traction is needed.

Size	Product Code	Ply	Mounted Diameter	Mounted Width	Rim Width	Max Load Capacity @ 10 MPH	Max PSI	Tire Weight
4.10 - 4	5170041	2	11.0	3.7	2.50	225	24	2.8
4.10 - 6	5170051	2	12.8	4.0	3.25	290	24	3.4
13 x 5.00 - 6	5170061	2	13.1	4.7	3.50	290	20	4.2
15 X 5.00 - 6	5170081	2	14.8	5.0	3.50	405	20	5.2
4.80 - 8	5170011	2	16.2	4.7	3.75	440	20	6.0
16 x 6.50 - 8	5170021	2	16.4	6.2	5.38	410	14	7.1
18 x 6.50 - 8	5170101	4	17.2	6.6	5.38	760	28	7.6

All Big Biters are Non-Highway Service Tires



XTRAC

Excellent for snow throwing equipment and other applications requiring aggressive traction. Features angled center lugs for maximum bite with squared prominent edge lugs for traction across the entire face of the tire.

Size	Product Code	Ply	Mounted Diameter	Mounted Width	Rim Width	Max Load Capacity @ 10 MPH	Max PSI	Tire Weight
13 x 4.00 - 6	5170151	2	12.8	4.0	3.25	280	22	3.6
13 x 5.00 - 6	5170161	2	12.9	4.7	3.50	290	20	4.7
15 x 5.00 - 6	5170171	2	14.6	5.1	3.50	395	20	5.4
4.80 - 8	5170111	2	16.6	4.7	3.75	440	20	5.8
16 x 6.50 - 8	5170181	2	16.4	6.0	5.38	410	14	7.0

All Big Biters are Non-Highway Service Tires

Industrial Utility Vehicle Golf Carts and Utility Vehicles



INDUSTRIAL TRAX

Designed for hard surface utility vehicle applications such as concession vehicles for golf courses.

Size	Product Code	Ply	Mounted Diameter	Mounted Width	Rim Width	Max Load Capacity @ 10 MPH	Max PSI	Tire Weight
23 x 10.50 - 12	599045	4	22.5	10.4	8.5	1340	20	20.9
25 x 8.50 - 12	560445	6	24.8	8.5	7.0	1650	30	18.9
25 x 10.50 - 12	560446	6	25.0	10.5	7.0	1980	30	29.0



ATV/UTV
Powersports



Can-Am ACT All-Terrain Tire with Black Rock Rev0 aluminum alloy ATV wheel.

ATV/UTV - Powersports TREAD VIEW QUICK REFERENCE GUIDE



A-C-T
Page 20



A-C-T HD
Page 21



AT 489
Page 22



AT 489 X/L
Page 23



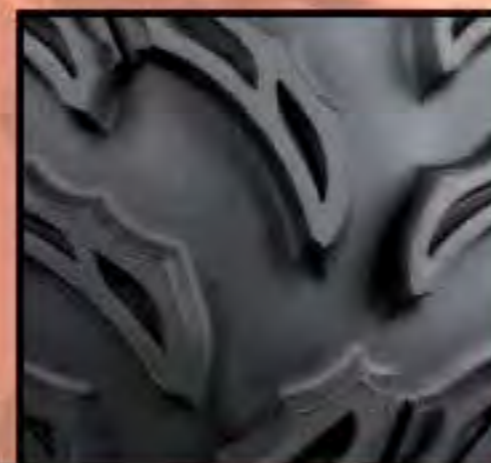
AT 489 II
Page 23



BADLANDS A/R
Page 24



BADLANDS XTR
Page 24



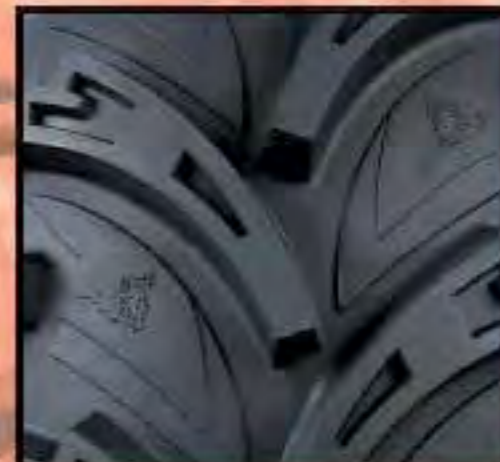
BLACK ROCK
Page 25



HD FIELD TRAX
Page 26



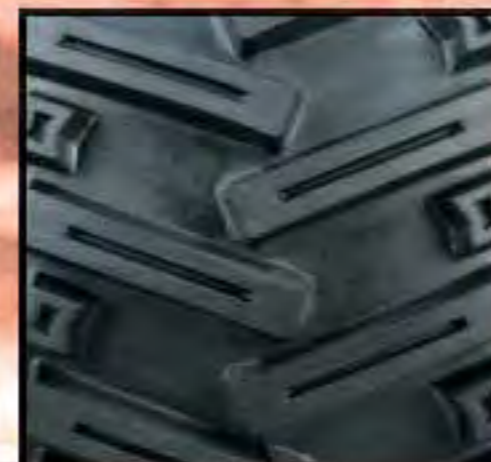
KNOBBY
Page 26



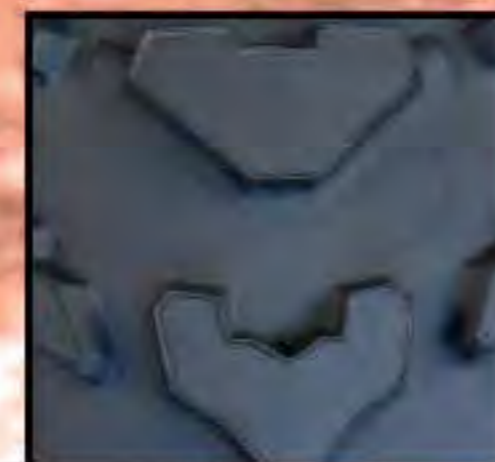
MUD WOLF®
Page 27



MUD WOLF® XL
Page 27



STRYKER
Page 28



TRAIL WOLF®
Page 29



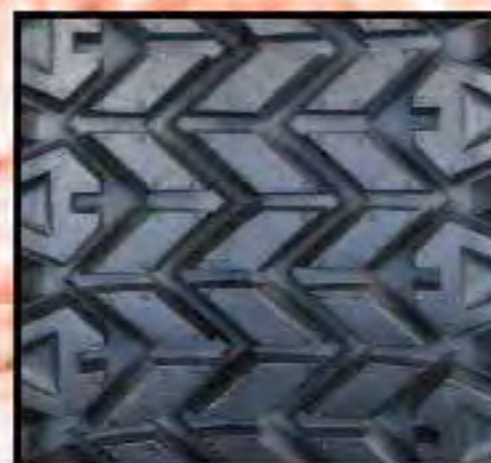
TRAIL WOLF® SPORT FT
Page 30



TRAIL WOLF® SPORT RR
Page 30



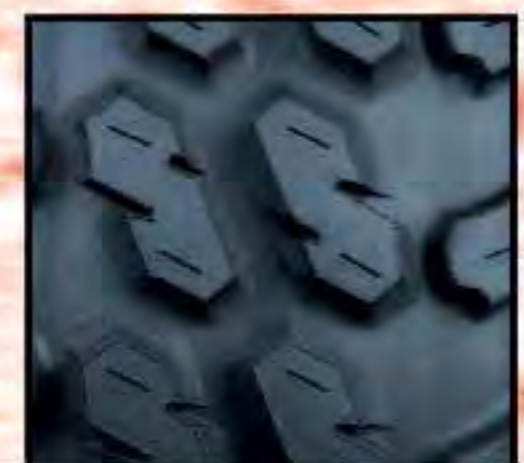
TURF TAMER
Page 31



ALL TRAIL®
Page 32



ALL TRAIL® II
Page 32



TERRATHON
Page 33

In selecting upgrade or replacement ATV tires, begin by identifying the type of riding and terrain surface. The correct tire choice dramatically affects ride satisfaction, performance and handling characteristics. Application-specific tires make remarkable gains in vehicle performance if used in intended environments. When selecting ATV tires, performance features such as flotation, flexibility, cornering capability, ply-rating and puncture resistance are factors that should be considered.

ALL-PURPOSE TIRES. Carlisle All-Terrain, OEM replacement or Trail-Rated tires offer traction in a wide range of conditions and are not designed to excel in one particular terrain. For stones, hard pack, mud, and various other conditions, an all-purpose tire is recommended. The Carlisle AT489 is an industry leader, excelling in all-terrain applications.

MUD TIRES. Terrain-specific Mud Tires are specially designed to gain traction in difficult wet and sticky conditions with large tread bar systems that offer rotation-based, self-cleaning features. Goo-rated tires are characterized by sharp angled tread. Mud tires are not recommended for dry conditions.

SAND TIRES. Sand-specific tires feature paddle styled tread features for loose terrain displacement. Enthusiasts often use smooth or slick style front tires for sand dune performance. Not recommended for other applications.

SPORT PERFORMANCE TIRES. For aggressive trail riding delivering consistent traction on medium to hard packed terrain, a sport performance tread choice is recommended.

Carlisle. Serious Traction Sold Here.™



ATV/UTV

Powersports

ATV/UTV

ATVs, Utility Vehicles, Side by Side Vehicles, & Fun-Karts



A.C.T. All Conditions Tire

A.C.T. (All Conditions Tire) features advanced radial construction to absorb trail hazards and ride disturbance. Radial design increases both traction and ride quality. Aggressive open lug tread pattern, with tread depth of .75 inches. Designed with rim-guard to protect wheel lip. Made in USA.

Size	Product Code	Star Rating	Mounted Diameter	Mounted Width	Rim Width	Max Load Capacity @ 50 MPH	Max PSI	Tire Weight
AT23X7R12	560408	3	23.25	7.00	6.0	260	7	14.4
AT23X10R12	560409	3	23.50	10.00	8.0	365	7	18.2
AT25X8R12	560425	3	25.00	8.03	6.5	340	7	18.0
AT25X11R12	560426	3	25.50	10.50	8.0	455	7	23.9
AT26X8R12	560441	3	26.00	8.03	6.5	375	7	17.2
AT26X10R12	560442	3	26.20	10.40	8.0	440	7	22.8

ATV and NHS tires are Non-Highway Service Tires. "AT" tires are designed for ATV applications. "NHS" tires are designed for Utility Vehicle applications.

FAST FACTS:

Did you know. In 1973, Carlisle Tire & Wheel introduced the first domestic demountable ATV tire. Carlisle's line of all-terrain tires for recreational and non-recreational use is the broadest in the industry.



A-C-T HD *Heavy Duty Sidewall for Increased Puncture Resistance*

The A.C.T. HD is constructed with highly reliable 6-ply rated, 1.0 inch tread depth and larger sizing. Designed with rim-guard to protect wheel lip. Made in USA.

Size	Product Code	Ply	Mounted Diameter	Mounted Width	Rim Width	Max Load Capacity @ 50 MPH	Max PSI	Tire Weight
25X8.00R12 NHS	560481	6	25.50	8.03	6.5	700	18	21.8
25X11.00R12 NHS	560482	6	25.75	11.06	9.0	935	18	27.7
26X9.00R12 NHS	560465	6	26.25	8.50	7.0	830	18	25.7
26X11.00R12 NHS	560466	6	26.75	10.50	9.0	985	18	30.5
27X9.00R12 NHS	560472	6	27.50	8.94	7.0	890	18	26.5
27X11.00R12 NHS	560473	6	27.75	11.06	9.0	1045	18	31.8

ATV and NHS tires are Non-Highway Service Tires. "AT" tires are designed for ATV applications. "NHS" tires are designed for Utility Vehicle applications.

FAST FACTS:

Did you know? Carlisle all-terrain tires are made at our dedicated all-terrain tire factory in Tennessee. With a challenging test track on the factory site and many Carlisle employees that are ATV/UTV enthusiasts, Carlisle all-terrain products perform in the test lab and in the field.



ATV/UTV

Powersports

ATV/UTV

ATVs, Utility Vehicles, Side by Side Vehicles, & Fun-Karts



AT489

The ideal OEM replacement tire. Superior shock absorption. Light, strong, steers easy. Made in USA.

Size	Product Code	AT* NHS-Ply	Mounted Diameter	Mounted Width	Rim Width	Max Load Capacity @ 50 MPH	Max PSI	Tire Weight
22X11.00-10 NHS	5893H5	4	22.80	10.20	9.0	620	12	15.4
22X9.50-10 NHS	5793N1	4	22.00	9.50	7.0	585	14	14.9
23X10.00-12 NHS	579330	4	23.00	10.00	8.0	855	22	16.9
24X12.00-10 NHS	5793A6	4	24.50	12.00	9.5	1020	20	23.8
24x9.50-10 NHS	5793P2	4	24.00	9.50	7.8	870	22	18.5
24X10.50-10 NHS	5793N9	4	24.00	10.50	7.8	900	20	20.3
25X10-00-12 NHS	589335	4	25.60	9.00	8.0	670	12	18.3
25X11.00 NHS	589351	4	25.60	9.40	9.0	740	12	19.5
25X8.00-12 NHS	589359	4	25.00	8.00	6.5	785	22	15.1
AT23X8-11	589304	3	23.50	7.50	6.5	290	7	14.4
AT24X11-10	589305	3	24.00	10.00	9.0	440	7	18.0
AT25X8-12	589306	3	25.20	7.50	6.5	340	7	14.1
AT25X11-10	589308	3	25.10	10.80	9.0	455	7	20.9
AT25X10-12	589321	3	25.20	9.10	8.0	420	7	18.7
AT23X8-10	589326	3	22.90	8.10	6.5	300	7	13.8
AT23X10-10	589327	3	23.40	9.50	8.0	375	7	17.6
AT24X10-11	589328	3	24.00	10.00	8.0	395	7	19.3
AT23X8-12	589329	3	23.10	7.40	6.5	280	7	14.1
AT23X10-12	589330	3	23.00	9.00	8.0	365	7	17.4
AT24X8-11	589332	3	24.20	8.60	6.5	320	7	18.3
AT26X10-12	589336	2	25.70	9.80	8.0	385	5	19.6
AT24X8-12	589337	3	24.30	7.30	6.5	310	7	13.6
AT24X9-12	589342	2	23.80	8.90	8.0	265	5	16.1
AT24X11-12	589344	3	24.00	10.90	9.0	430	7	19.1
AT25X11-12	589346	3	25.40	10.60	8.0	455	7	19.5
AT24X9-11	5893A9	3	24.02	8.94	7.0	365	7	16.9
AT23X7-10	5893M0	2	22.50	6.50	5.5	240	5	12.4
AT22X11-10	5893V0	2	22.01	11.06	9.0	330	5	15.6
AT22X10-10	5370461	3	21.71	9.86	8.0	355	7	17.9
AT22X7-12	5370521	3	22.42	6.68	6.0	240	7	12.6
AT22X10-12	5370531	3	22.32	9.30	8.0	340	7	17.0
25X11.00-12 NHS	560414	4	25.00	11.06	9.0	1055	22	19.5
25X10.00-12 NHS	560416	4	25.50	9.00	8.0	1005	24	18.3

ATV/UTV
Powersports



AT 489 X/L

A heavy duty form of the Carlisle 489, 3/4-inch tread, 6-ply rating. Puncture resistant and built to play. Made in USA.

Size	Product Code	Star Rating	Mounted Diameter	Mounted Width	Rim Width	Max Load Capacity @ 50 MPH	Max PSI	Tire Weight
AT25X8-12	560490	3	25.25	7.60	6.5	340	7	15.8
AT25X11-12	560491	3	25.50	10.80	9.0	455	7	21.0
AT26X9-12	560460	3	26.00	8.94	7.0	410	7	18.8
AT26X11-12	560461	3	26.25	11.06	9.0	480	7	24.3
AT26X8-12	560480	3	26.00	7.50	6.5	375	7	17.3
AT27X9-12	560470	3	27.01	8.94	7.0	440	7	18.9
AT27X11-12	560471	3	27.25	11.06	8.0	495	7	24.7

ATV and NHS tires are Non-Highway Service Tires. "AT" tires are designed for ATV applications. "NHS" tires are designed for Utility Vehicle applications

AT 489 II

Innovative new spin-off of the classic AT489. Dependable performance on a wide variety of conditions/terrains. Updated 26" sizing with 14" bead diameter. Ideal replacement tire for new OE fitments. Made in USA.

Size	Product Code	Star Rating	Mounted Diameter	Mounted Width	Rim Width	Max Load Capacity @ 50 MPH	Max PSI	Tire Weight
AT26X8-14	560565	3	26.00	7.75	6.0	355	7	16.6
AT26X10-14	560568	3	26.25	9.80	8.0	430	7	21.7

ATV and NHS tires are Non-Highway Service Tires. "AT" tires are designed for ATV applications. "NHS" tires are designed for Utility Vehicle applications.



ATV/UTV

Powersports

ATV/UTV

ATVs, Utility Vehicles, Side by Side Vehicles, & Fun-Karts



BADLANDS A/R

OE specs, radial technology. Made in USA.

Size	Product Code	Star Rating	Mounted Diameter	Mounted Width	Rim Width	Max Load Capacity @ 50 MPH	Max PSI	Tire Weight
AT205/85R12	530009	3	25.46	7.67	6.5	375	7	18.7
AT255/70R12	530008	3	26.07	9.43	8.0	440	7	20.5

ATV and NHS tires are Non-Highway Service Tires. "AT" tires are designed for ATV applications. "NHS" tires are designed for Utility Vehicle applications.



BADLANDS XTR

Radial technology absorbs trail hazards. Offers the ultimate smooth ride plus handling and traction. Made in USA.

Size	Product Code	Star Rating	Mounted Diameter	Mounted Width	Rim Width	Max Load Capacity @ 50 MPH	Max PSI	Tire Weight
AT255/65R12	537067	3	25.25	9.50	8.0	420	7	19.5
AT205/80R12 (A)	537068	3	25.09	8.03	6.5	340	7	15.9
AT270/60R12	537069	3	24.97	10.62	8.0	455	7	21.6

ATV and NHS tires are Non-Highway Service Tires. "AT" tires are designed for ATV applications. "NHS" tires are designed for Utility Vehicle applications.



BLACK ROCK®



BLACK ROCK

Own the trail with this versatile Black Rock mud tire! All-conditions performance. Smooth riding with .75 inch tread depth. Durable, with 6-ply rating. Designed with rim-guard to protect wheel lip. Made in USA.

Size	Product Code	Star Rating	Mounted Diameter	Mounted Width	Rim Width	Max Load Capacity @ 50 MPH	Max PSI	Tire Weight
AT24x9-11	560530	3	24.00	9.00	7.0	365	7	16.9
AT24x9-12	560534	3	24.00	8.50	7.0	355	7	17.2
AT25x8-12	560538	3	25.00	8.00	6.5	340	7	17.9
AT25x10-12	560540	3	25.25	9.50	8.0	420	7	20.3
AT26x9-12	560539	3	26.00	8.5	7.0	410	7	19.0
AT26x11-12	560541	3	26.25	11.00	9.0	480	7	23.3
AT27x9-14	560592	3	27.00	8.50	7.0	420	7	22.7
AT27x11-14	560593	3	27.25	10.75	9.0	495	7	26.7

ATV and NHS tires are Non-Highway Service Tires. "AT" tires are designed for ATV applications. "NHS" tires are designed for Utility Vehicle applications.

FAST FACTS:

Did you know? The radial tire was invented in 1915 by Arthur Savage, owner of Savage Tire Company, San Diego, California.* Savage was a businessman, inventor and explorer. While his most useful invention is probably the radial tire, he is most famous for founding the Savage Arms Company** and inventing the legendary Savage Model 99 hammerless lever action rifle.

*U.S. Patent 1,203,910, May 21, 1915

**Savage Arms Company is a registered trademark of the Savage Arms Co., Utica, New York.



ATV/UTV

Powersports

ATV/UTV

ATVs, Utility Vehicles, Side by Side Vehicles, & Fun-Karts



HD FIELD TRAX

Designed to get things done in the field and around the farm. Made in USA.

Size	Product Code	AT* NHS-Ply	Mounted Diameter	Mounted Width	Rim Width	Max Load Capacity @ 50 MPH	Max PSI	Tire Weight
18X8.50-12NHS	5883U1	4	18.00	7.80	7.0	495	22	11.0
24X12.00-12NHS	560366	2	24.00	11.87	9.5	675	10	24.7
26X12.00-12NHS	560467	2	25.00	12.10	9.5	760	10	27.1
AT22.5X10-8	5883B9	3	22.52	10.00	8.0	365	7	20.5
AT22X12-8	588389	3	20.88	10.55	7.0	430	7	20.3
AT25X13-9	588394	3	24.36	12.55	10.0	535	7	28.8

AT and NHS tires are Non-Highway Service Tires. "AT" tires are designed for ATV applications. "NHS" tires are designed for Utility Vehicle applications.
 * AT tires reflect star rating in ply column at 50mph. NHS tires reflect ply rating in ply column.



KNOBBY

Designed to get things done in the field and around the farm. Made in USA.

Size	Product Code	AT* NHS	Mounted Diameter	Mounted Width	Rim Width	Max Load Capacity @ 50 MPH	Max PSI	Tire Weight
AT145/70-6	5150021	1	14.26	5.31	4.5	99	4	4.9
AT16X8-7	5150031	3	16.50	6.61	5.0	180	7	7.1
18X9.50-8 NHS	537005	2	18.26	8.77	7.0	365	10	10.4
AT22X11-8 Solid	537050	2	22.28	10.46	9.0	340	5	13.9
AT25X12-9 Solid	537081	2	24.59	11.76	10.0	430	5	18.9

* AT tires reflect star rating in ply column at 50mph. NHS tires reflect ply rating in ply column.

PRICES AND PRODUCT SPECIFICATIONS SUBJECT TO CHANGE WITHOUT NOTICE. PRODUCT AVAILABILITY SUBJECT TO INVENTORY.



MUDWOLF®



MUD WOLF®

Outstanding mud performance. 1.0 inch tread depth. Tough 6-ply rated carcass provides stability, while resisting punctures and trail hazards. Embossed Mud Wolf logo increases cool factor. Designed with rim-guard to protect wheel lip. Made in USA.

Size	Product Code	Star Rating	Mounted Diameter	Mounted Width	Rim Width	Max Load Capacity @ 50 MPH	Max PSI	Tire Weight
AT25X8-12	537125	3	25.02	8.36	6.5	340	7	23.4
AT25X11-12	537126	3	24.62	10.93	8.0	455	7	30.8
AT26X9-12	537127	3	26.10	9.16	7.0	410	7	28.3
AT26X12-12	537128	3	26.07	11.44	8.0	520	7	35.5
AT27X9-12	537129	3	26.63	9.48	7.0	440	7	31.1
AT27X12-12	537130	3	27.38	11.75	8.0	550	7	39.5

AT and NHS tires are Non-Highway Service Tires. "AT" tires are designed for ATV applications. "NHS" tires are designed for Utility Vehicle applications.



MUD WOLF® XL

Mud Wolf performance in a lighter, 14" version. Made in USA.

Size	Product Code	NHS Ply	Mounted Diameter	Mounted Width	Rim Width	Max Load Capacity @ 50 MPH	Max PSI	Tire Weight
26X9.00-14 NHS	537131	6	26.66	8.10	7.0	795	18	21.1
26X11.00-14 NHS	537132	6	26.60	10.13	8.0	970	18	27.9

AT and NHS tires are Non-Highway Service Tires. "AT" tires are designed for ATV applications. "NHS" tires are designed for Utility Vehicle applications.



ATV/UTV

Powersports

ATV/UTV

ATVs, Utility Vehicles, Side by Side Vehicles, & Fun-Karts



STRYKER

Unique, off-set chevron pattern makes this tire work-ready and self cleaning. Made in USA.

Size	Product Code	Star Rating	Mounted Diameter	Mounted Width	Rim Width	Max Load Capacity @ 50 MPH	Max PSI	Tire Weight
AT22X11-8	531073	2	22.58	11.08	9.0	330	5	21.4
AT22X11-9	531065	2	22.57	11.21	10.0	340	5	21.6
AT25X12-9	531075	2	25.20	12.24	10.0	430	5	28.3
AT22X11-10	531095	2	22.92	10.06	8.0	330	5	20.9

ATV and NHS tires are Non-Highway Service Tires. "AT" tires are designed for ATV applications. "NHS" tires are designed for Utility Vehicle applications.

FAST FACTS:

Did you know? Specialty tires are subjected to the most diverse range of use environments, load requirements, sidewall hazards, storage conditions and wet and dry surfaces in the tire industry. Carlisle R&D develops rubbers, chemical additives and other advanced material compounds to create safer and longer-lasting tires for the intended environment. In addition, tread patterns are purpose-designed for agricultural, all-terrain, construction, industrial, lawn, garden, and road surface environments.



TRAIL WOLF®

Deep, wrap-around tread design promotes forward traction while minimizing lateral slip. Stiff sidewalls increase cornering control. Compound formulated for longer wear and increased replacement intervals. Extended wear product. Popular sport and youth quad sizes also available. Designed with rim-guard to protect wheel lip. Made in USA.

Size	Product Code	AT* NHS-Ply	Mounted Diameter	Mounted Width	Rim Width	Max Load Capacity @ 50 MPH	Max PSI	Tire Weight
AT19x7-8	5370371	1	18.96	6.77	5.5	143	4	8.1
AT19X8-8	537038	1	19.04	7.12	6.0	161	4	8.4
AT20X7-8	5370391	1	19.49	6.93	5.5	157	4	8.7
AT20X11-8	537033	3	20.12	10.65	9.0	340	7	14.5
AT20X11-9	537034	3	19.60	10.25	9.0	340	7	13.1
AT22X10-9	537055	3	22.11	10.82	9.0	355	7	16.4
AT25X12-9	537082	3	25.64	12.27	10.0	495	7	27.0
AT20X11-10	537035	3	19.93	9.70	8.0	330	7	16.5
20X11.00-10 NHS	510015	4	20.00	10.70	9.8	760	22	13.3
AT21X7-10	537084	3	21.47	6.80	5.5	235	7	12.9
AT22X7-10	537048	2	22.19	6.72	5.5	220	5	13.6
AT22X10-10	537049	3	23.47	9.23	8.0	355	7	18.2
AT25X12-10	537085	3	25.28	11.63	10.0	495	7	21.1
AT22X7-11	537054	3	21.82	7.26	6.5	245	7	14.7
AT23X8-11	537090	3	23.21	7.58	6.5	290	7	14.8
AT24X9-11	537091	3	24.38	8.46	7.0	365	7	16.2
AT25X8-12	537062	3	25.33	7.51	6.5	340	7	16.1
AT25X10-12	537061	3	25.46	9.02	8.0	420	7	20.7
AT25X11-12	537065	3	25.68	9.07	8.0	455	7	20.9

ATV and NHS tires are Non-Highway Service Tires. "AT" tires are designed for ATV applications. "NHS" tires are designed for Utility Vehicle applications.
* AT tires reflect star rating in ply column at 50mph. NHS tires reflect ply rating in ply column.



ATV/UTV

Powersports

ATV/UTV

ATVs, Utility Vehicles, Side by Side Vehicles, & Fun-Karts



TRAIL WOLF® SPORT

Lightweight and durable 6-ply rated carcass perfect for recreational riding. Purpose-designed front and rear tread designs optimize traction, balance and handling. Made in USA.

Size	Product Code	Star Rating	Mounted Diameter	Mounted Width	Rim Width	Max Load Capacity @ 50 MPH	Max PSI	Tire Weight
AT20x10-9	560496	3	19.90	9.90	8.0	300	7	14.1
AT22x11-9	560498	3	21.60	11.40	9.0	395	7	18.0
AT21x7-10	560510	3	20.60	6.35	5.5	235	7	10.2
AT22x7-10	560511	3	21.40	6.50	5.5	255	7	10.4

ATV and NHS tires are Non-Highway Service Tires. "AT" tires are designed for ATV applications. "NHS" tires are designed for Utility Vehicle applications.



TURF TAMER

A longtime favorite from race track to recreation. Made in USA.

Size	Product Code	AT* NHS-Ply	Mounted Diameter	Mounted Width	Rim Width	Max Load Capacity @ 50 MPH	Max PSI	Tire Weight
AT22.5X10-8	55U3B9	3	22.30	9.60	7.0	365	7	13.6
22.5X10.0-8 NHS	55U3C7	4	22.30	9.60	8.0	825	22	14.0
AT25X12-9	55U373	3	25.10	11.00	10.0	495	7	16.9
AT20X11-10	55U3F2	3	19.90	10.70	8.5	330	7	15.2
23X10.50-12 NHS	567367	4	22.80	10.40	8.5	825	20	18.5

ATV and NHS tires are Non-Highway Service Tires. "AT" tires are designed for ATV applications. "NHS" tires are designed for Utility Vehicle applications.
* AT tires reflect star rating in ply column. NHS tires reflect ply rating in ply column at 50mph..



ATV/UTV

Powersports

ATV/UTV

ATVs, Utility Vehicles, Side by Side Vehicles, & Fun-Karts



ALL TRAIL® / ALL TRAIL® II

Purpose-designed for use on hard surface conditions. Low, wide profile with sturdy 4-ply rated carcass reduces soft, wallowing chassis roll commonly experienced with other tires. A unique, tight tread pattern offers up a silky smooth ride experience. The All Trail tread pattern, couple with a specially formulated compound, delivers durable, extended tire life. Responsive, predictable and level handling on pavement, concrete and hard-packed soil. Made in USA.

Size	Product Code	Ply	Mounted Diameter	Mounted Width	Rim Width	Max Load Capacity @ 50 MPH	Max PSI	Tire Weight
20X10.00-8NHS	510043	4	19.8	9.6	8.0	715	22	14.1
22X10.00-8NHS	510044	4	21.98	10.15	7.0	825	22	17.1
20X10.00-10NHS	510045	4	20.13	8.88	6.0	695	22	15.1
22X9.50-10 NHS	55A3N1	4	22.00	9.20	7.0	585	14	14.8
22X11.00-10NHS	510016	4	21.87	10.16	8.0	880	22	19.5
24X9.50-10 NHS	55A3P2	4	24.00	9.40	7.5	870	22	16.3
24X10.50-10 NHS	55A3N9	4	24.30	11.20	8.5	900	20	17.8
23X8.00-12NHS	511506	4	23.21	8.41	6.5	675	22	21.1
23X10.50-12NHS	511505	4	23.08	9.87	7.0	835	20	22.3
25X8.00-12NHS	511507	4	25.07	8.34	7.0	785	22	19.7
25X9.00-12 NHS	560443	4	25.60	9.00	7.0	825	20	18.4
25X10.50-12NHS	511508	4	24.80	10.10	7.0	945	20	26.6
25X11.00-12 NHS	560444	4	25.50	10.80	9.0	1055	22	20.9

ATV and NHS tires are Non-Highway Service Tires. "AT" tires are designed for ATV applications. "NHS" tires are designed for Utility Vehicle applications.



TERRATHON

Versatile All Terrain, non-directional tread pattern. Designed for OEM use. Made in USA.

Size	Product Code	Star Rating	Mounted Diameter	Mounted Width	Rim Width	Max Load Capacity @ 50 MPH	Max PSI	Tire Weight
AT26X8-14	560487	3	26.00	7.50	6.5	355	7	18.0
AT26X10-14	560488	3	26.25	9.50	8.0	465	7	21.7

ATV and NHS tires are Non-Highway Service Tires. "AT" tires are designed for ATV applications. "NHS" tires are designed for Utility Vehicle applications.



ATV/UTV

Powersports - Wheels & Applications



BLACK ROCK®



Black Rock Revo 100
Machined w/ Black Accents



Black Rock Intruder 110B
Satin Matte Black



Black Rock Intruder 110S
Tungsten Silver



BLACK ROCK ATV/UTV WHEEL APPLICATIONS

ATVs, Utility Vehicles, Side by Side Vehicles, & Fun-Karts

ARCTIC CAT-250/300 2x4/4x4 '98-02*
ARCTIC CAT-300i/400i/500i/650i/700i/1000 2x4/4x4 '02-12*

*Must use lug nut part # ALUG14BX — Factory lug nut does not work.

Brand	Wheel	Size	Bolt Pattern	Offset	Finish	Part Number	Lug Nut Box of 16	Cap
Black Rock Revo	Front	12x7	4/115	5+2	Machined w/ Black Accents	100M271543	ALUG14BX	4110BR
Black Rock Revo	Rear	12x7	4/115	5+2	Machined w/ Black Accents	100M271543	ALUG14BX	4110BR
Black Rock Revo	Front	14x7	4/115	5+2	Machined w/ Black Accents	100M471543	ALUG14BX	4110BR
Black Rock Revo	Rear	14x7	4/115	5+2	Machined w/ Black Accents	100M471543	ALUG14BX	4110BR
Black Rock Intruder	Front	12x7	4/115	5+2	Satin Matte Black	110B271543	ALUG14BX	4110BR
Black Rock Intruder	Rear	12x7	4/115	5+2	Satin Matte Black	110B271543	ALUG14BX	4110BR
Black Rock Intruder	Front	12x7	4/115	5+2	Tungsten Silver	110S271543	ALUG14BX	4110BR
Black Rock Intruder	Rear	12x7	4/115	5+2	Tungsten Silver	110S271543	ALUG14BX	4110BR
Black Rock Intruder	Front	14x7	4/115	5+2	Satin Matte Black	110B471543	ALUG14BX	4110BR
Black Rock Intruder	Rear	14x7	4/115	5+2	Satin Matte Black	110B471543	ALUG14BX	4110BR
Black Rock Intruder	Front	14x7	4/115	5+2	Tungsten Silver	110S471543	ALUG14BX	4110BR
Black Rock Intruder	Rear	14x7	4/115	5+2	Tungsten Silver	110S471543	ALUG14BX	4110BR

Arctic Cat Prowler '06-12*

*Must use lug nut part # ALUG14BX — Factory lug nut does not work.

Arctic Cat Wildcat '12*

*Must use factory lug nut.

Brand	Wheel	Size	Bolt Pattern	Offset	Finish	Part Number	Lug Nut Box of 16	Cap
Black Rock Revo	Front	14x7	4/115	5+2	Machined w/ Black Accents	100M471543	ALUG14BX	4110BR
Black Rock Revo	Rear	14x7	4/115	5+2	Machined w/ Black Accents	100M471543	ALUG14BX	4110BR
Black Rock Intruder	Front	14x7	4/115	5+2	Satin Matte Black	110B471543	ALUG14BX	4110BR
Black Rock Intruder	Rear	14x7	4/115	5+2	Satin Matte Black	110B471543	ALUG14BX	4110BR
Black Rock Intruder	Front	14x7	4/115	5+2	Tungsten Silver	110S471543	ALUG14BX	4110BR
Black Rock Intruder	Rear	14x7	4/115	5+2	Tungsten Silver	110S471543	ALUG14BX	4110BR

Can-Am/Bombardier Outlander 330/400/500/650/800 '03-12 100 Model

Can-Am Renegade 500/800 '08-12

Ⓢ Black Rock Wheels make the Can-Am Renegade 4-inches (2-inches per side) wider than OE.

Brand	Wheel	Size	Bolt Pattern	Offset	Finish	Part Number	Lug Nut Box of 16	Cap
Black Rock Revo	Front	12x7	4/137	5+2	Machined w/ Black Accents	100M273643	ALUG15BX	4137BR
Black Rock Revo	Rear	12x7	4/137	5+2	Machined w/ Black Accents	100M273643	ALUG15BX	4137BR
Black Rock Revo	Front	14x7	4/137	5+2	Machined w/ Black Accents	100M473643	ALUG15BX	4137BR
Black Rock Revo	Rear	14x7	4/137	5+2	Machined w/ Black Accents	100M473643	ALUG15BX	4137BR
Black Rock Intruder	Front	12x7	4/137	5+2	Satin Matte Black	110B273643	ALUG15BX	4137BR
Black Rock Intruder	Rear	12x7	4/137	5+2	Satin Matte Black	110B273643	ALUG15BX	4137BR
Black Rock Intruder	Front	12x7	4/137	5+2	Tungsten Silver	110S273643	ALUG15BX	4137BR
Black Rock Intruder	Rear	12x7	4/137	5+2	Tungsten Silver	110S273643	ALUG15BX	4137BR
Black Rock Intruder	Front	14x7	4/137	5+2	Satin Matte Black	110B473643	ALUG15BX	4137BR
Black Rock Intruder	Rear	14x7	4/137	5+2	Satin Matte Black	110B473643	ALUG15BX	4137BR
Black Rock Intruder	Front	14x7	4/137	5+2	Tungsten Silver	110S473643	ALUG15BX	4137BR
Black Rock Intruder	Rear	14x7	4/137	5+2	Tungsten Silver	110S473643	ALUG15BX	4137BR

Can-Am/Bombardier Traxter 4x4 '99-06

Can-Am/Bombardier Quest 650 '01-06

Brand	Wheel	Size	Bolt Pattern	Offset	Finish	Part Number	Lug Nut Box of 16	Cap
Black Rock Revo	Front	12x7	4/110	5+2	Machined w/ Black Accents	100M270943	ALUG14BX	4110BR
Black Rock Revo	Rear	12x7	4/110	2+5	Machined w/ Black Accents	100M270921	ALUG14BX	4110BR
Black Rock Revo	Front	14x7	4/110	5+2	Machined w/ Black Accents	100M470943	ALUG14BX	4110BR
Black Rock Revo	Rear	14x7	4/110	2+5	Machined w/ Black Accents	100M470921	ALUG14BX	4110BR
Black Rock Intruder	Front	12x7	4/110	5+2	Satin Matte Black	110B270943	ALUG14BX	4110BR
Black Rock Intruder	Rear	12x7	4/110	2+5	Satin Matte Black	110B270921	ALUG14BX	4110BR
Black Rock Intruder	Front	12x7	4/110	5+2	Tungsten Silver	110S270943	ALUG14BX	4110BR
Black Rock Intruder	Rear	12x7	4/110	2+5	Tungsten Silver	110S270921	ALUG14BX	4110BR
Black Rock Intruder	Front	14x7	4/110	5+2	Satin Matte Black	110B470943	ALUG14BX	4110BR
Black Rock Intruder	Rear	14x7	4/110	2+5	Satin Matte Black	110B470921	ALUG14BX	4110BR
Black Rock Intruder	Front	14x7	4/110	5+2	Tungsten Silver	110S470943	ALUG14BX	4110BR
Black Rock Intruder	Rear	14x7	4/110	2+5	Tungsten Silver	110S470921	ALUG14BX	4110BR



ATV/UTV

Powersports - Wheels & Applications

BLACK ROCK ATV/UTV WHEEL APPLICATIONS

ATVs, Utility Vehicles, Side by Side Vehicles, & Fun-Karts

Honda 300 4x4 '89-00
Honda 350 Rancher S-ES 4x4 '00-06
Honda 400/420 Rancher 4x4 '04-12 (Straight-Axle)
Honda 400 Foreman 4x4 '96-06
Honda 450/500 Foreman S-ES 4x4 '98-12
Honda 500 Rubicon 4x4 '01-12*

*Must use lug nut part # ALUG14BX — Factory lug nut does not work.

Brand	Wheel	Size	Bolt Pattern	Offset	Finish	Part Number	Lug Nut Box of 16	Cap
Black Rock Revo	Front	12x7	4/110	5+2	Machined w/ Black Accents	100M270943	ALUG14BX	4110BR
Black Rock Revo	Rear	12x7	4/110	2+5	Machined w/ Black Accents	100M270921	ALUG14BX	4110BR
Black Rock Revo	Front	14x7	4/110	5+2	Machined w/ Black Accents	100M470943	ALUG14BX	4110BR
Black Rock Revo	Rear	14x7	4/110	2+5	Machined w/ Black Accents	100M470921	ALUG14BX	4110BR
Black Rock Intruder	Front	12x7	4/110	5+2	Satin Matte Black	110B270943	ALUG14BX	4110BR
Black Rock Intruder	Rear	12x7	4/110	2+5	Satin Matte Black	110B270921	ALUG14BX	4110BR
Black Rock Intruder	Front	12x7	4/110	5+2	Tungsten Silver	110S270943	ALUG14BX	4110BR
Black Rock Intruder	Rear	12x7	4/110	2+5	Tungsten Silver	110S270921	ALUG14BX	4110BR
Black Rock Intruder	Front	14x7	4/110	5+2	Satin Matte Black	110B470943	ALUG14BX	4110BR
Black Rock Intruder	Rear	14x7	4/110	2+5	Satin Matte Black	110B470921	ALUG14BX	4110BR
Black Rock Intruder	Front	14x7	4/110	5+2	Tungsten Silver	110S470943	ALUG14BX	4110BR
Black Rock Intruder	Rear	14x7	4/110	2+5	Tungsten Silver	110S470921	ALUG14BX	4110BR

Honda 420 Rancher AT 09-12 (IRS)
Honda 650/700 Rincon 4x4 '02-12*

*Must use lug nut part # ALUG14BX — Factory lug nut does not work.

Brand	Wheel	Size	Bolt Pattern	Offset	Finish	Part Number	Lug Nut Box of 16	Cap
Black Rock Revo	Front	12x7	4/110	5+2	Machined w/ Black Accents	100M270943	ALUG14BX	4110BR
Black Rock Revo	Rear	12x7	4/110	5+2	Machined w/ Black Accents	100M270943	ALUG14BX	4110BR
Black Rock Revo	Front	14x7	4/110	5+2	Machined w/ Black Accents	100M470943	ALUG14BX	4110BR
Black Rock Revo	Rear	14x7	4/110	5+2	Machined w/ Black Accents	100M470943	ALUG14BX	4110BR
Black Rock Intruder	Front	12x7	4/110	5+2	Satin Matte Black	110B270943	ALUG14BX	4110BR
Black Rock Intruder	Rear	12x7	4/110	5+2	Satin Matte Black	110B270943	ALUG14BX	4110BR
Black Rock Intruder	Front	12x7	4/110	5+2	Tungsten Silver	110S270943	ALUG14BX	4110BR
Black Rock Intruder	Rear	12x7	4/110	5+2	Tungsten Silver	110S270943	ALUG14BX	4110BR
Black Rock Intruder	Front	14x7	4/110	5+2	Satin Matte Black	110B470943	ALUG14BX	4110BR
Black Rock Intruder	Rear	14x7	4/110	5+2	Satin Matte Black	110B470943	ALUG14BX	4110BR
Black Rock Intruder	Front	14x7	4/110	5+2	Tungsten Silver	110S470943	ALUG14BX	4110BR
Black Rock Intruder	Rear	14x7	4/110	5+2	Tungsten Silver	110S470943	ALUG14BX	4110BR

Honda Big Red MUV '09-12*

*Must use lug nut part # ALUG18BX — Factory lug nut does not work.

Brand	Wheel	Size	Bolt Pattern	Offset	Finish	Part Number	Lug Nut Box of 16	Cap
Black Rock Revo	Front	12x7	4/110	5+2	Machined w/ Black Accents	100M270943	ALUG18BX	4110BR
Black Rock Revo	Rear	12x7	4/110	5+2	Machined w/ Black Accents	100M270943	ALUG18BX	4110BR
Black Rock Revo	Front	14x7	4/110	5+2	Machined w/ Black Accents	100M470943	ALUG18BX	4110BR
Black Rock Revo	Rear	14x7	4/110	5+2	Machined w/ Black Accents	100M470943	ALUG18BX	4110BR
Black Rock Intruder	Front	12x7	4/110	5+2	Satin Matte Black	110B270943	ALUG18BX	4110BR
Black Rock Intruder	Rear	12x7	4/110	5+2	Satin Matte Black	110B270943	ALUG18BX	4110BR
Black Rock Intruder	Front	12x7	4/110	5+2	Tungsten Silver	110S270943	ALUG18BX	4110BR
Black Rock Intruder	Rear	12x7	4/110	5+2	Tungsten Silver	110S270943	ALUG18BX	4110BR
Black Rock Intruder	Front	14x7	4/110	5+2	Satin Matte Black	110B470943	ALUG18BX	4110BR
Black Rock Intruder	Rear	14x7	4/110	5+2	Satin Matte Black	110B470943	ALUG18BX	4110BR
Black Rock Intruder	Front	14x7	4/110	5+2	Tungsten Silver	110S470943	ALUG18BX	4110BR
Black Rock Intruder	Rear	14x7	4/110	5+2	Tungsten Silver	110S470943	ALUG18BX	4110BR

For more information on Black Rock wheels, please visit blackrockwheels.com

ATV/UTV Powersports - Wheels & Applications



Kawasaki 650i Brute Force 4x4 '06-12
Kawasaki 750 Brute Force 4x4 '05-07
Kawasaki 750i Brute Force 4x4 '08-12

Brand	Wheel	Size	Bolt Pattern	Offset	Finish	Part Number	Lug Nut Box of 16	Cap
Black Rock Revo	Front	12x7	4/110	5+2	Machined w/ Black Accents	100M270943	ALUG14BX	4110BR
Black Rock Revo	Rear	12x7	4/110	5+2	Machined w/ Black Accents	100M270943	ALUG14BX	4110BR
Black Rock Revo	Front	14x7	4/110	5+2	Machined w/ Black Accents	100M470943	ALUG14BX	4110BR
Black Rock Revo	Rear	14x7	4/110	5+2	Machined w/ Black Accents	100M470943	ALUG14BX	4110BR
Black Rock Intruder	Front	12x7	4/110	5+2	Satin Matte Black	110B270943	ALUG14BX	4110BR
Black Rock Intruder	Rear	12x7	4/110	5+2	Satin Matte Black	110B270943	ALUG14BX	4110BR
Black Rock Intruder	Front	12x7	4/110	5+2	Tungsten Silver	110S270943	ALUG14BX	4110BR
Black Rock Intruder	Rear	12x7	4/110	5+2	Tungsten Silver	110S270943	ALUG14BX	4110BR
Black Rock Intruder	Front	14x7	4/110	5+2	Satin Matte Black	110B470943	ALUG14BX	4110BR
Black Rock Intruder	Rear	14x7	4/110	5+2	Satin Matte Black	110B470943	ALUG14BX	4110BR
Black Rock Intruder	Front	14x7	4/110	5+2	Tungsten Silver	110S470943	ALUG14BX	4110BR
Black Rock Intruder	Rear	14x7	4/110	5+2	Tungsten Silver	110S470943	ALUG14BX	4110BR

Kawasaki Prairie 360 '02-12
Kawasaki Prairie 400 '97-06
Kawasaki Prairie 650/700 '02-06
Kawasaki 650 Brute Force 4x4 '06-12 (straight axle)
Kawasaki Mule 500/600/610

Brand	Wheel	Size	Bolt Pattern	Offset	Finish	Part Number	Lug Nut Box of 16	Cap
Black Rock Revo	Front	12x7	4/137	5+2	Machined w/ Black Accents	100M273643	ALUG15BX	4137BR
Black Rock Revo	Rear	12x7	4/137	2+5	Machined w/ Black Accents	100M273621	ALUG15BX	4137BR
Black Rock Revo	Front	14x7	4/137	5+2	Machined w/ Black Accents	100M473643	ALUG15BX	4137BR
Black Rock Revo	Rear	14x7	4/137	2+5	Machined w/ Black Accents	100M473621	ALUG15BX	4137BR
Black Rock Intruder	Front	12x7	4/137	5+2	Satin Matte Black	110B273643	ALUG15BX	4137BR
Black Rock Intruder	Rear	12x7	4/137	2+5	Satin Matte Black	110B273621	ALUG15BX	4137BR
Black Rock Intruder	Front	12x7	4/137	5+2	Tungsten Silver	110S273643	ALUG15BX	4137BR
Black Rock Intruder	Rear	12x7	4/137	2+5	Tungsten Silver	110S273621	ALUG15BX	4137BR
Black Rock Intruder	Front	14x7	4/137	5+2	Satin Matte Black	110B473643	ALUG15BX	4137BR
Black Rock Intruder	Rear	14x7	4/137	2+5	Satin Matte Black	110B473621	ALUG15BX	4137BR
Black Rock Intruder	Front	14x7	4/137	5+2	Tungsten Silver	110S473643	ALUG15BX	4137BR
Black Rock Intruder	Rear	14x7	4/137	2+5	Tungsten Silver	110S473621	ALUG15BX	4137BR

Kawasaki Teryx 750 '08-12
Kawasaki Mule 2500/3000/4000 Series

Brand	Wheel	Size	Bolt Pattern	Offset	Finish	Part Number	Lug Nut Box of 16	Cap
Black Rock Revo	Front	12x7	4/137 12mm	5+2	Machined w/ Black Accents	100M273743	ALUG16BX	4137BR
Black Rock Revo	Rear	12x7	4/137 12mm	5+2	Machined w/ Black Accents	100M273743	ALUG16BX	4137BR
Black Rock Revo	Front	14x7	4/137 12mm	5+2	Machined w/ Black Accents	100M473743	ALUG16BX	4137BR
Black Rock Revo	Rear	14x7	4/137 12mm	5+2	Machined w/ Black Accents	100M473743	ALUG16BX	4137BR
Black Rock Intruder	Front	12x7	4/137 12mm	5+2	Satin Matte Black	110B273743	ALUG16BX	4137BR
Black Rock Intruder	Rear	12x7	4/137 12mm	5+2	Satin Matte Black	110B273743	ALUG16BX	4137BR
Black Rock Intruder	Front	12x7	4/137 12mm	5+2	Tungsten Silver	110S273743	ALUG16BX	4137BR
Black Rock Intruder	Rear	12x7	4/137 12mm	5+2	Tungsten Silver	110S273743	ALUG16BX	4137BR
Black Rock Intruder	Front	14x7	4/137 12mm	5+2	Satin Matte Black	110B473743	ALUG16BX	4137BR
Black Rock Intruder	Rear	14x7	4/137 12mm	5+2	Satin Matte Black	110B473743	ALUG16BX	4137BR
Black Rock Intruder	Front	14x7	4/137 12mm	5+2	Tungsten Silver	110S473743	ALUG16BX	4137BR
Black Rock Intruder	Rear	14x7	4/137 12mm	5+2	Tungsten Silver	110S473743	ALUG16BX	4137BR



ATV/UTV

Powersports - Wheels & Applications

BLACK ROCK ATV/UTV WHEEL APPLICATIONS

ATVs, Utility Vehicles, Side by Side Vehicles, & Fun-Karts

Polaris 335 Sportsman '99-06*
Polaris 400/450 Sportsman '01-12*
Polaris 500 Sportsman '96-12*
Polaris 500 Magnum '02-06*
Polaris 600 Sportsman '03-12*

Polaris 700 Sportsman '02-09*
Polaris 800 Sportsman '05-12*
Polaris Ranger 4x4 '03-12*
Polaris RZR '08-12*

*Must use lug nut part # ALUG13BX — Factory lug nut does not work.

Brand	Wheel	Size	Bolt Pattern	Offset	Finish	Part Number	Lug Nut Box of 16	Cap
Black Rock Revo	Front	12x7	4/156	4+3	Machined w/ Black Accents	100M274643	ALUG13BX	4156BR
Black Rock Revo	Rear	12x7	4/156	4+3	Machined w/ Black Accents	100M274643	ALUG13BX	4156BR
Black Rock Revo	Front	14x7	4/156	4+3	Machined w/ Black Accents	100M474643	ALUG13BX	4156BR
Black Rock Revo	Rear	14x7	4/156	4+3	Machined w/ Black Accents	100M474643	ALUG13BX	4156BR
Black Rock Intruder	Front	12x7	4/156	4+3	Satin Matte Black	110B274643	ALUG13BX	4156BR
Black Rock Intruder	Rear	12x7	4/156	4+3	Satin Matte Black	110B274643	ALUG13BX	4156BR
Black Rock Intruder	Front	12x7	4/156	4+3	Tungsten Silver	110S274643	ALUG13BX	4156BR
Black Rock Intruder	Rear	12x7	4/156	4+3	Tungsten Silver	110S274643	ALUG13BX	4156BR
Black Rock Intruder	Front	14x7	4/156	4+3	Satin Matte Black	110B474643	ALUG13BX	4156BR
Black Rock Intruder	Rear	14x7	4/156	4+3	Satin Matte Black	110B474643	ALUG13BX	4156BR
Black Rock Intruder	Front	14x7	4/156	4+3	Tungsten Silver	110S474643	ALUG13BX	4156BR
Black Rock Intruder	Rear	14x7	4/156	4+3	Tungsten Silver	110S474643	ALUG13BX	4156BR

Polaris Sportsman XP 550 '09-12*
Polaris Sportsman XP 850 '09-12*

*Must use lug nut part # ALUG14BX — Factory lug nut does not work.

Brand	Wheel	Size	Bolt Pattern	Offset	Finish	Part Number	Lug Nut Box of 16	Cap
Black Rock Revo	Front	14x7	4/156	4+3	Machined w/ Black Accents	100M474643	ALUG14BX	4156BR
Black Rock Revo	Rear	14x7	4/156	4+3	Machined w/ Black Accents	100M474643	ALUG14BX	4156BR
Black Rock Intruder	Front	14x7	4/156	4+3	Satin Matte Black	110B474643	ALUG14BX	4156BR
Black Rock Intruder	Rear	14x7	4/156	4+3	Satin Matte Black	110B474643	ALUG14BX	4156BR
Black Rock Intruder	Front	14x7	4/156	4+3	Tungsten Silver	110S474643	ALUG14BX	4156BR
Black Rock Intruder	Rear	14x7	4/156	4+3	Tungsten Silver	110S474643	ALUG14BX	4156BR

Suzuki 400 Eiger 4x4 '02-07
Suzuki 400 King Quad (straight axle) 4x4 '08-12
Suzuki 500 Vinson 4x4 '02-09

Brand	Wheel	Size	Bolt Pattern	Offset	Finish	Part Number	Lug Nut Box of 16	Cap
Black Rock Revo	Front	12x7	4/110	5+2	Machined w/ Black Accents	100M270943	ALUG14BX	4110BR
Black Rock Revo	Rear	12x7	4/110	2+5	Machined w/ Black Accents	100M270921	ALUG14BX	4110BR
Black Rock Revo	Front	14x7	4/110	5+2	Machined w/ Black Accents	100M470943	ALUG14BX	4110BR
Black Rock Revo	Rear	14x7	4/110	2+5	Machined w/ Black Accents	100M470921	ALUG14BX	4110BR
Black Rock Intruder	Front	12x7	4/110	5+2	Satin Matte Black	110B270943	ALUG14BX	4110BR
Black Rock Intruder	Rear	12x7	4/110	2+5	Satin Matte Black	110B270921	ALUG14BX	4110BR
Black Rock Intruder	Front	12x7	4/110	5+2	Tungsten Silver	110S270943	ALUG14BX	4110BR
Black Rock Intruder	Rear	12x7	4/110	2+5	Tungsten Silver	110S270921	ALUG14BX	4110BR
Black Rock Intruder	Front	14x7	4/110	5+2	Satin Matte Black	110B470943	ALUG14BX	4110BR
Black Rock Intruder	Rear	14x7	4/110	2+5	Satin Matte Black	110B470921	ALUG14BX	4110BR
Black Rock Intruder	Front	14x7	4/110	5+2	Tungsten Silver	110S470943	ALUG14BX	4110BR
Black Rock Intruder	Rear	14x7	4/110	2+5	Tungsten Silver	110S470921	ALUG14BX	4110BR

Suzuki Twin Peaks 700 '04-06

Brand	Wheel	Size	Bolt Pattern	Offset	Finish	Part Number	Lug Nut Box of 16	Cap
Black Rock Revo	Front	12x7	4/137	5+2	Machined w/ Black Accents	100M273643	ALUG15BX	4137BR
Black Rock Revo	Rear	12x7	4/137	2+5	Machined w/ Black Accents	100M273621	ALUG15BX	4137BR
Black Rock Revo	Front	14x7	4/137	5+2	Machined w/ Black Accents	100M473643	ALUG15BX	4137BR
Black Rock Revo	Rear	14x7	4/137	2+5	Machined w/ Black Accents	100M473621	ALUG15BX	4137BR
Black Rock Intruder	Front	12x7	4/137	5+2	Satin Matte Black	110B273643	ALUG15BX	4137BR
Black Rock Intruder	Rear	12x7	4/137	2+5	Satin Matte Black	110B273621	ALUG15BX	4137BR
Black Rock Intruder	Front	12x7	4/137	5+2	Tungsten Silver	110S273643	ALUG15BX	4137BR
Black Rock Intruder	Rear	12x7	4/137	2+5	Tungsten Silver	110S273621	ALUG15BX	4137BR

For more information on Black Rock wheels, please visit blackrockwheels.com

PRICES AND PRODUCT SPECIFICATIONS SUBJECT TO CHANGE WITHOUT NOTICE. PRODUCT AVAILABILITY SUBJECT TO INVENTORY.



Suzuki Twin Peaks 700 '04-06, Continued

Brand	Wheel	Size	Bolt Pattern	Offset	Finish	Part Number	Lug Nut Box of 16	Cap
Black Rock Intruder	Front	14x7	4/137	5+2	Satin Matte Black	110B473643	ALUG15BX	4137BR
Black Rock Intruder	Rear	14x7	4/137	2+5	Satin Matte Black	110B473621	ALUG15BX	4137BR
Black Rock Intruder	Front	14x7	4/137	5+2	Tungsten Silver	110S473643	ALUG15BX	4137BR
Black Rock Intruder	Rear	14x7	4/137	2+5	Tungsten Silver	110S473621	ALUG15BX	4137BR

Suzuki 450/700/750 King Quad '05-12

Brand	Wheel	Size	Bolt Pattern	Offset	Finish	Part Number	Lug Nut Box of 16	Cap
Black Rock Revo	Front	12x7	4/110	5+2	Machined w/ Black Accents	100M270943	ALUG14BX	4110BR
Black Rock Revo	Rear	12x7	4/110	5+2	Machined w/ Black Accents	100M270943	ALUG14BX	4110BR
Black Rock Revo	Front	14x7	4/110	5+2	Machined w/ Black Accents	100M470943	ALUG14BX	4110BR
Black Rock Revo	Rear	14x7	4/110	5+2	Machined w/ Black Accents	100M470943	ALUG14BX	4110BR
Black Rock Intruder	Front	12x7	4/110	5+2	Satin Matte Black	110B270943	ALUG14BX	4110BR
Black Rock Intruder	Rear	12x7	4/110	5+2	Satin Matte Black	110B270943	ALUG14BX	4110BR
Black Rock Intruder	Front	12x7	4/110	5+2	Tungsten Silver	110S270943	ALUG14BX	4110BR
Black Rock Intruder	Rear	12x7	4/110	5+2	Tungsten Silver	110S270943	ALUG14BX	4110BR
Black Rock Intruder	Front	14x7	4/110	5+2	Satin Matte Black	110B470943	ALUG14BX	4110BR
Black Rock Intruder	Rear	14x7	4/110	5+2	Satin Matte Black	110B470943	ALUG14BX	4110BR
Black Rock Intruder	Front	14x7	4/110	5+2	Tungsten Silver	110S470943	ALUG14BX	4110BR
Black Rock Intruder	Rear	14x7	4/110	5+2	Tungsten Silver	110S470943	ALUG14BX	4110BR

Yamaha 350 Grizzly (straight axle) 4x4 '07-12
 Yamaha 350/400 Big Bear (straight-axle) 2x4/4x4 '87-06
 Yamaha 350/450 Wolverine (straight-axle) 4x4 '95-11

Yamaha 350 Bruin (straight-axle) 2x4/4x4 '04-06
 Yamaha 400/450 Kodiak (straight-axle) 4x4 '93-04
 Yamaha 600 Grizzly (straight-axle) 4x4 '98-01*

*Must use lug nut part # ALUG14BX — Factory lug nut does not work.

Brand	Wheel	Size	Bolt Pattern	Offset	Finish	Part Number	Lug Nut Box of 16	Cap
Black Rock Revo	Front	12x7	4/110	5+2	Machined w/ Black Accents	100M270943	ALUG14BX	4110BR
Black Rock Revo	Rear	12x7	4/110	2+5	Machined w/ Black Accents	100M270921	ALUG14BX	4110BR
Black Rock Revo	Front	14x7	4/110	5+2	Machined w/ Black Accents	100M470943	ALUG14BX	4110BR
Black Rock Revo	Rear	14x7	4/110	2+5	Machined w/ Black Accents	100M470921	ALUG14BX	4110BR
Black Rock Intruder	Front	12x7	4/110	5+2	Satin Matte Black	110B270943	ALUG14BX	4110BR
Black Rock Intruder	Rear	12x7	4/110	2+5	Satin Matte Black	110B270921	ALUG14BX	4110BR
Black Rock Intruder	Front	12x7	4/110	5+2	Tungsten Silver	110S270943	ALUG14BX	4110BR
Black Rock Intruder	Rear	12x7	4/110	2+5	Tungsten Silver	110S270921	ALUG14BX	4110BR
Black Rock Intruder	Front	14x7	4/110	5+2	Satin Matte Black	110B470943	ALUG14BX	4110BR
Black Rock Intruder	Rear	14x7	4/110	2+5	Satin Matte Black	110B470921	ALUG14BX	4110BR
Black Rock Intruder	Front	14x7	4/110	5+2	Tungsten Silver	110S470943	ALUG14BX	4110BR
Black Rock Intruder	Rear	14x7	4/110	2+5	Tungsten Silver	110S470921	ALUG14BX	4110BR

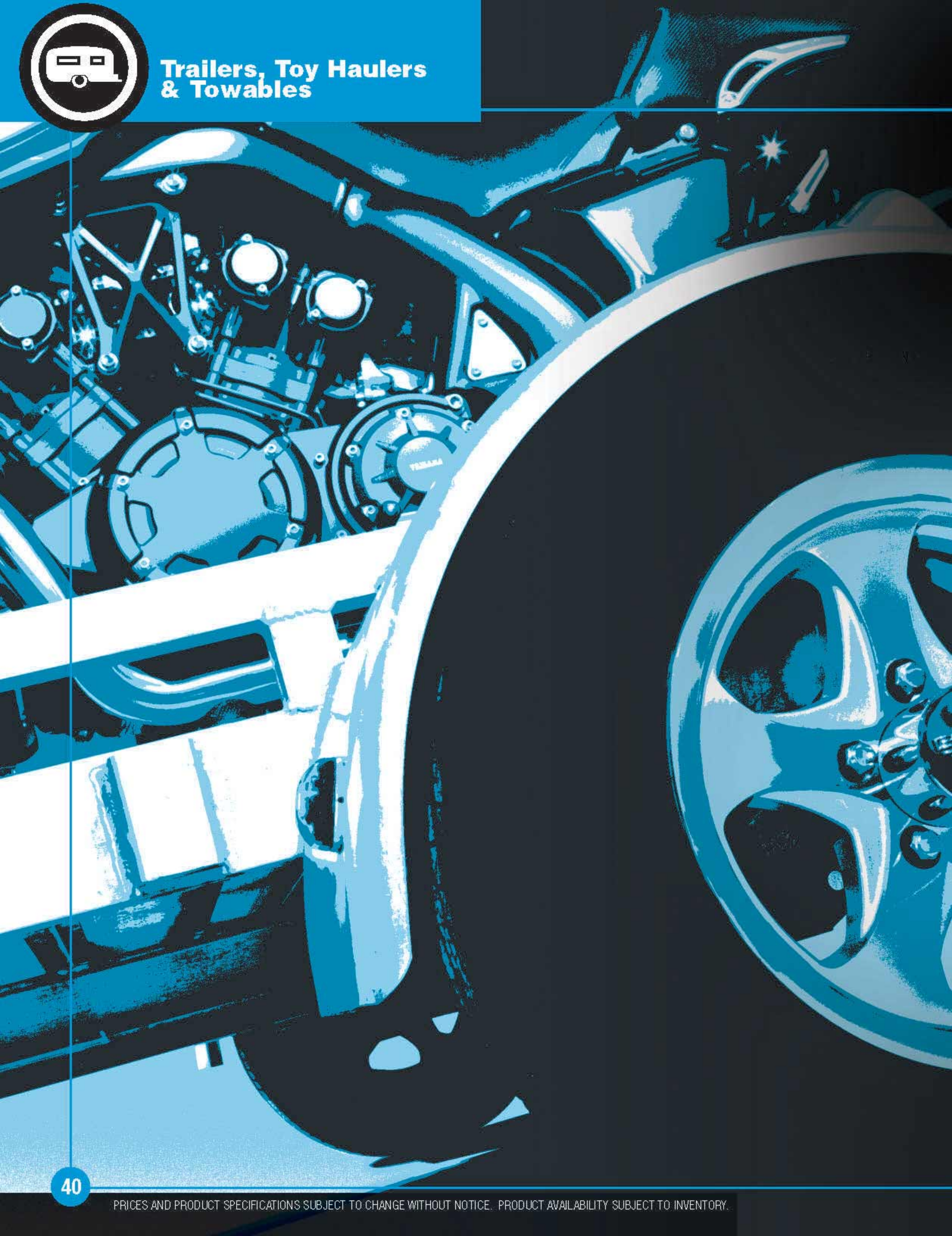
Yamaha 350 Grizzly IRS '07-10
 Yamaha 400/450 Kodiak IRS 4x4 '05-06
 Yamaha 400/450 Grizzly IRS 4x4 '07-12

Yamaha 400 Big Bear IRS '07-12
 Yamaha 550/660/700 Grizzly 4x4 '02-12
 Yamaha 450/660/700 Rhino '04-12

Brand	Wheel	Size	Bolt Pattern	Offset	Finish	Part Number	Lug Nut Box of 16	Cap
Black Rock Revo	Front	12x7	4/110	5+2	Machined w/ Black Accents	100M270943	ALUG14BX	4110BR
Black Rock Revo	Rear	12x7	4/110	5+2	Machined w/ Black Accents	100M270943	ALUG14BX	4110BR
Black Rock Revo	Front	14x7	4/110	5+2	Machined w/ Black Accents	100M470943	ALUG14BX	4110BR
Black Rock Revo	Rear	14x7	4/110	5+2	Machined w/ Black Accents	100M470943	ALUG14BX	4110BR
Black Rock Intruder	Front	12x7	4/110	5+2	Satin Matte Black	110B270943	ALUG14BX	4110BR
Black Rock Intruder	Rear	12x7	4/110	5+2	Satin Matte Black	110B270943	ALUG14BX	4110BR
Black Rock Intruder	Front	12x7	4/110	5+2	Tungsten Silver	110S270943	ALUG14BX	4110BR
Black Rock Intruder	Rear	12x7	4/110	5+2	Tungsten Silver	110S270943	ALUG14BX	4110BR
Black Rock Intruder	Front	14x7	4/110	5+2	Satin Matte Black	110B470943	ALUG14BX	4110BR
Black Rock Intruder	Rear	14x7	4/110	5+2	Satin Matte Black	110B470943	ALUG14BX	4110BR
Black Rock Intruder	Front	14x7	4/110	5+2	Tungsten Silver	110S470943	ALUG14BX	4110BR
Black Rock Intruder	Rear	14x7	4/110	5+2	Tungsten Silver	110S470943	ALUG14BX	4110BR



Trailers, Toy Haulers & Towables



Trailers, Toy Haulers & Towables

TREAD VIEW QUICK REFERENCE GUIDE



ULTRA SPORT RADIAL
Page 42



RADIAL TRAIL RH
Page 43



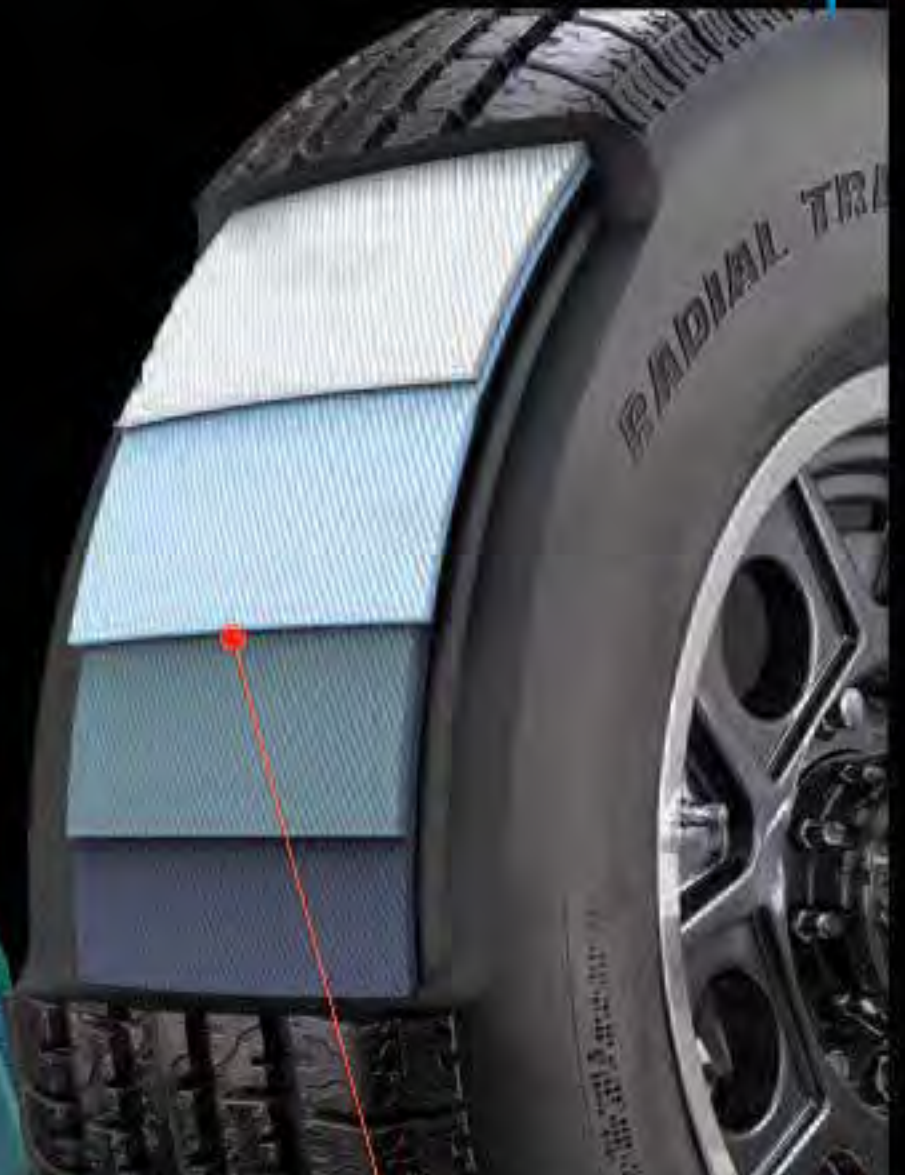
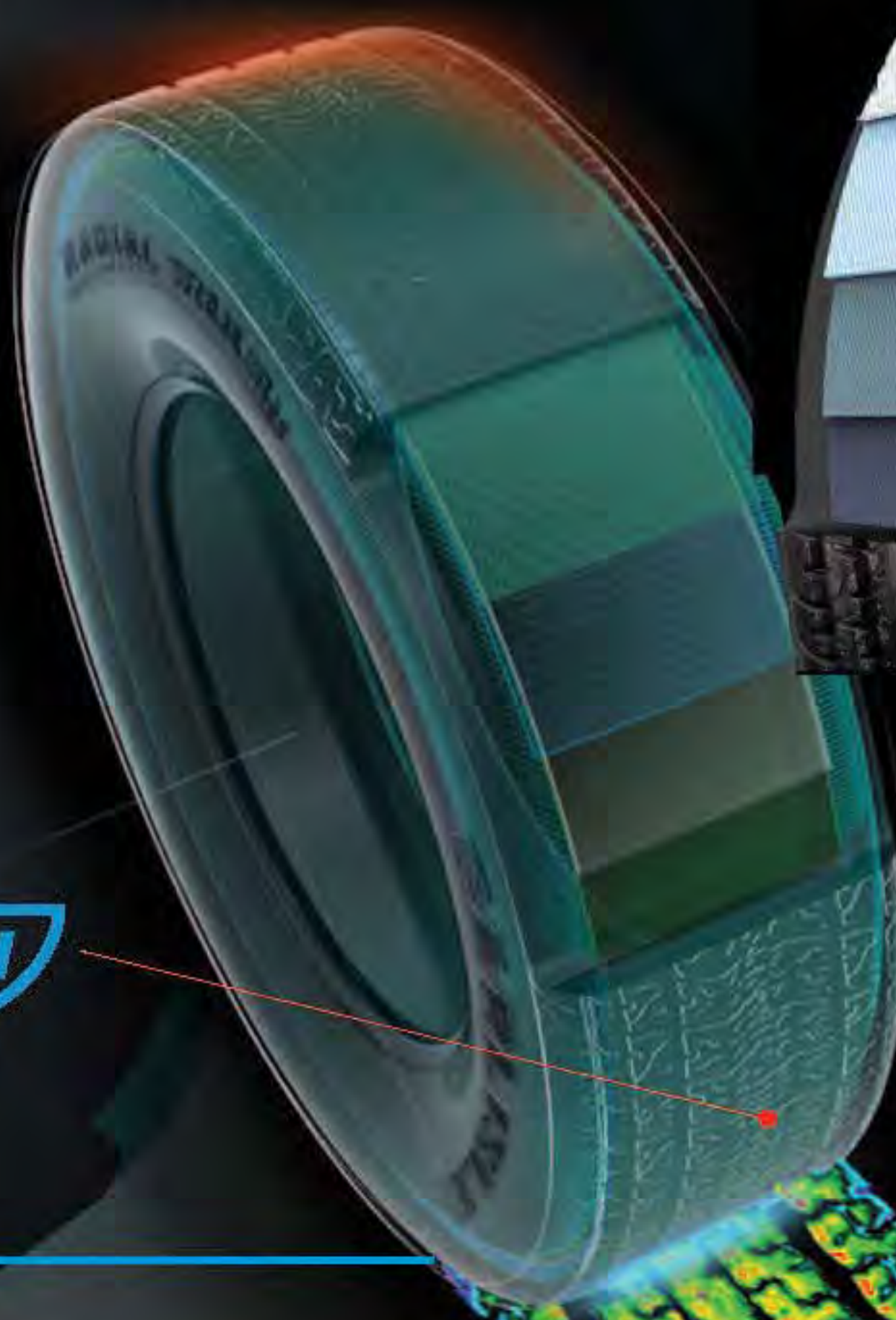
USA TRAIL
Page 44



SPORT TRAIL
Page 45

NEW. Carlisle Radial Trail^{RH} Radial Trailer Tire. For Toy Haulers, Boat Trailers, Cargo Trailers, Utility Trailers, Stock Trailers and other towable applications. The new and improved second generation Radial Trail^{RH} combines two new Carlisle technologies. Utilizing **DuraTrail™** technology, a high strength belt package with micro-fiber reinforcement and fully optimized ply construction, the RH Series offers improved load-carry capacity and lateral stability, reducing trailer sway. **HeatShield™** Technology combines specially blended heat resistant polymers producing a tread compound with superior heat aging endurance. Fourteen popular sizes are offered in the RH Series with custom steel belt configurations designed for the tread profile of each size and load range combination. See Page 43.

**The Carlisle Radial Trail^{RH},
Tow with Trust™**





Trailers, Toy Haulers & Towables

Trailer-Radial

Boat Trailers, Cargo Trailers, Horse & Stock Trailers, RV- Towable Utility Trailers, & Specialty Trailers



ULTRA SPORT RADIAL

Low profile design that provides high performance look. Tire profile and tread formulation creates lower rolling resistance. Substantially exceeds D.O.T requirements.

Size	Product Code	Load Range	Mounted Diameter	Mounted Width	Rim Width	Max Capacity	Tire PSI	Tire Weight	Tread Depth (32nds)
ST235/60R14	5193081	LRC	25.2	9.1	7.00	1820	50	24.0	16
ST235/60R15	5193091	LRD	26.2	9.2	7.00	2200	65	26.7	16

Carlisle's new Radial Trail RH is the Official Tire of the American Bass Anglers Tour.



FAST FACTS:

Did you know? For trailer applications always use an ST (Special Trailer) tire. ST trailer tires offer approximately 10 percent more load capacity than an equivalent LT (Light Truck) tire and typically 40 percent more capacity than a passenger tire when filled to maximum PSI rating. A trailer tire is constructed with stiffer sidewalls for reduced sidewall flexing under load, resulting in straighter tracking and a lowered risk of trailer sway. Trailer tires are purpose-designed for towing and the irregular duty cycles associated with trailer use and storage.

Trailers, Toy Haulers & Towables



Trailer-Radial

Boat Trailers, Cargo Trailers, Horse & Stock Trailers, RV- Towable Utility Trailers, & Specialty Trailers



RADIAL TRAIL RH

Radial Construction and variable pitch design reduces road noise and excessive heat buildup, increasing tire life. Tire profile and tread formulation creates lower rolling resistance thus increasing fuel mileage. Substantially exceeds D.O.T requirements. The Radial Trail RH is equipped with DuraTrail™ and HeatShield™ Technology.



DuraTrail™ Technology

Increases the integrity of the tires performance in challenging environments by incorporating ultra high strength steel belts with micro-fiber reinforcements.



Heat Shield™ Technology

Ensures longer tire performance with the introduction of engineered compound of specially blended heat resistant polymers.

Size	Product Code	Load Range	Mounted Diameter	Mounted Width	Rim Width	Max Capacity	Tire PSI	Tire Weight	Tread Depth (32nds)
ST145/12	5151311	LRC	21.4	5.9	4.0	1220	65	15.8	9
ST145/12	5151321	LRE	21.4	6.0	4.0	1520	80	16.0	9
ST175/80R13	5151331	LRC	24.1	6.8	4.5	1360	50	19.7	9
ST185/80R13	5151341	LRC	24.8	7.1	4.5	1480	50	21.3	9
ST205/75R14	5151351	LRC	26.1	8.1	5.5	1760	50	25.9	10
ST215/75R14	5151361	LRC	26.8	8.5	6.0	1870	50	25.8	10
ST205/75R15	5151371	LRC	27.1	8.2	6.0	1820	50	26.1	10
ST205/75R15	5151381	LRC	27.2	8.2	6.0	2150	65	26.9	10
ST225/75R15	5151391	LRC	28.2	8.8	6.0	2150	50	29.5	10
ST225/75R15	5151401	LRC	28.3	9.0	6.0	2540	65	30.8	10
ST225/75R15	5151411	LRE	28.3	9.0	6.0	2830	80	35.2	10
ST235/80R16	5151501	LRE	30.8	9.0	6.0	3520-S/3100-D	85	38.5	11
ST235/85R16	5151431	LRE	31.9	9.3	6.0	3640-S/3200-D	80	41.7	13
ST235/85R16	5151441	LRF	31.9	9.1	6.0	3960-S/3520-D	95	44.8	13

FAST FACTS:

Did you know? Steel wires in radial tires become magnetic with use and as they rotate a significant alternating magnetic field is created, measurable close to the wheel well when the vehicle is moving.



Trailers, Toy Haulers & Towables

Trailer-Bias

Boat Trailers, Cargo Trailers, Horse & Stock Trailers, RV- Towable Utility Trailers, & Specialty Trailers



USA TRAIL®

Tread compound and tire profile allows for more uniform wear. Tread design improves puncture resistance. Substantially exceeds D.O.T requirements. Made in the USA

Size	Product Code	Load Range	Mounted Diameter	Mounted Width	Rim Width	Max Capacity	Tire PSI	Tire Weight	Tread Depth (32nds)
4.80 - 8	519056	LRB	17.1	5.1	3.75	585	60	7.3	6
4.80 - 8	519058	LRC	17.4	5.1	3.75	760	90	7.6	6
5.70 - 8	519086	LRB	19.2	6.0	3.75	715	50	9.6	10
5.70 - 8	519087	LRC	18.8	6.0	3.75	910	75	11.3	10
5.70 - 8	519088	LRD	18.9	6.1	3.75	1070	100	12.2	10
16.5 x 6.5 - 8	519297	LRC	16.2	6.6	5.38	785	70	10.5	7
16.5 x 6.5 - 8	519298	LRD	16.3	6.7	5.38	910	90	11.1	7
18.5 x 8.5 - 8	519471	LRB	18.0	8.4	7.00	760	35	13.5	10
18.5 x 8.5 - 8	519472	LRC	17.7	8.5	7.00	935	50	15.4	10
6.90 - 9	519572	LRC	22.0	7.1	4.50	1100	60	13.5	10
20.5 x 8.0 - 10	519141	LRB	21.0	8.4	6.00	910	35	16.0	10
20.5 x 8.0 - 10	519142	LRC	20.7	8.5	6.00	1100	50	19.2	10
20.5 x 8.0 - 10	519143	LRD	20.5	8.6	6.00	1320	70	20.3	10
20.5 x 8.0 - 10	519144	LRE	20.9	8.7	6.00	1520	90	19.2	10
4.80 - 12	519062	LRB	21.0	5.0	4.00	785	60	9.7	8
4.80 - 12	519063	LRC	21.3	5.1	4.00	990	90	10.4	8
5.30 - 12	519076	LRB	21.8	5.3	4.00	855	55	10.2	8
5.30 - 12	519077	LRC	22.1	5.3	4.00	1050	80	11.3	8
ST175/80D13	519161	LRC	25.0	6.7	4.50	1360	50	17.4	10
ST205/75D14	519300	LRC	26.0	8.3	5.50	1760	50	23.6	10
ST215/75D14	519315	LRC	26.4	8.4	6.00	1870	50	27.0	10
ST205/75D15	519400	LRC	27.1	8.0	5.50	1820	50	25.0	10
ST225/75D15	519410	LRC	28.1	8.9	6.00	2150	50	29.2	10
ST225/75D15	519412	LRD	28.6	9.0	6.00	2540	65	34.6	10



Trailer-Bias

Boat Trailers, Cargo Trailers, Horse & Stock Trailers, RV- Towable Utility Trailers, & Specialty Trailers



SPORT TRAIL

Radial look with Bias construction. Tread profile and fomulation creates lower rolling resistance. Select sizes are "E" compliant.

Size	Product Code	Load Range	Mounted Diameter	Mounted Width	Rim Width	Max Capacity	Tire PSI	Tire Weight	Tread Depth (32nds)
4.80-8	5193171	LRB	16.3	4.7	3.75	585	60	5.80	8
4.80-8	5193181	LRC	16.3	4.9	3.75	760	90	6.90	8
5.70-8	5193191	LRB	18.1	5.9	3.75	715	50	9.20	10
5.70-8	5193201	LRC	18.4	6.0	3.75	910	75	9.90	10
16.5 x 6.5 - 8	5193421	LRB	16.6	6.8	5.38	615	45	8.15	7
16.5 x 6.5 - 8	5193461	LRC	16.5	6.8	5.38	785	70	9.45	7
16.5 x 6.5 - 8	5193481	LRD	16.6	6.8	5.38	910	90	10.30	7
18.5 x 8.5 - 8	5193431	LRB	18.0	8.6	7.00	760	35	12.20	10
18.5 x 8.5 - 8	5193451	LRC	17.9	8.6	7.00	935	50	13.36	10
20.5 x 8.0 - 10	5193441	LRB	20.9	8.01	6.00	910	35	14.35	10
20.5 x 8.0 - 10	5193471	LRC	20.9	8.0	6.00	1100	50	16.14	10
20.5 x 8.0 - 10	5193491	LRD	20.7	8.3	6.00	1320	70	16.60	10
20.5 x 8.0 - 10	5193501	LRE	20.6	8.2	6.00	1520	90	17.88	10
20.5 x 8.0 - 10	5193511	LRF	20.8	8.4	6.00	1650	105	18.30	10
4.80-12	5193211	LRB	20.5	5.0	4.00	785	60	9.70	8
4.80-12	5193221	LRC	21.30	5.2	4.00	990	90	10.10	8
5.30-12	5193231	LRB	21.4	5.4	4.00	855	55	10.50	8
5.30-12	5193241	LRC	21.7	5.5	4.00	1050	80	10.90	8
ST175/80D13	5193251	LRB	24.2	6.9	4.50	1100	35	18.10	10
ST175/80D13	5193261	LRC	24.2	6.9	4.50	1360	50	20.40	10
ST185/80D13	5193321	LRC	24.6	7.3	4.50	1480	50	19.68	10
ST185/80D13	5193531	LRD	24.6	7.3	4.50	1710	65	22.12	10
ST205/75D14	5193131	LRC	26.3	7.8	5.50	1760	50	22.90	10
ST215/75D14	5193281	LRC	26.1	8.1	6.00	1870	50	24.20	10
ST205/75D15	5193291	LRB	27.3	7.8	6.00	1480	35	22.40	10
ST205/75D15	5193381	LRC	26.8	8.0	5.50	1820	50	23.20	10
ST225/75D15	5193301	LRC	27.5	8.6	6.00	2150	50	28.90	11
ST225/75D15	5193311	LRD	28.4	8.6	6.00	2540	65	30.70	11
ST205/90D15	5193011	LRD	29.83	8.0	5.50	2600-S/2270-D	65	32.14	14
ST225/90D16	5193021	LRE	31.90	9.0	6.00	3520-S/3080-D	80	38.80	14
ST205/85D14.5	5195061	LRF	28.32	8.07	6.00	2830-S/2470-D	95	29.13	11



Ag/Construction

TREAD VIEW QUICK REFERENCE GUIDE



FARM SPECIALIST® F-2
Page 48



FARM SPECIALIST® F-2M
Page 48



FARM SPECIALIST® F-1
Page 49



FARM SPECIALIST® HF-1
Page 50



FARM SPECIALIST® I-1
Page 50-51



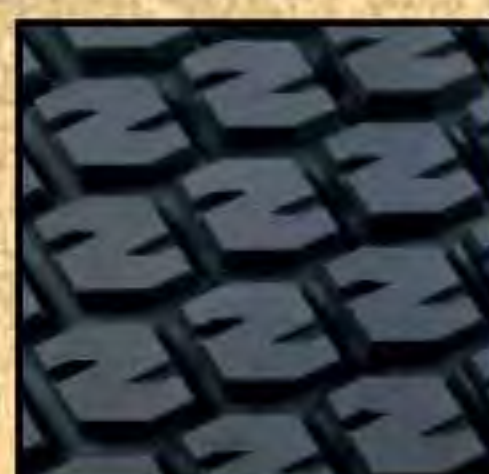
FARM SPECIALIST® F-3
Page 51



FARM SPECIALIST® R-1
Page 52



FARM SPECIALIST® HA-R-1
Page 52



TURF PRO R-3
Page 53



MULTI TRAC CS R-3
Page 53



XTRA GRIP R-4
Page 53



WT300
Page 53



ULTRA GUARD®
Page 54



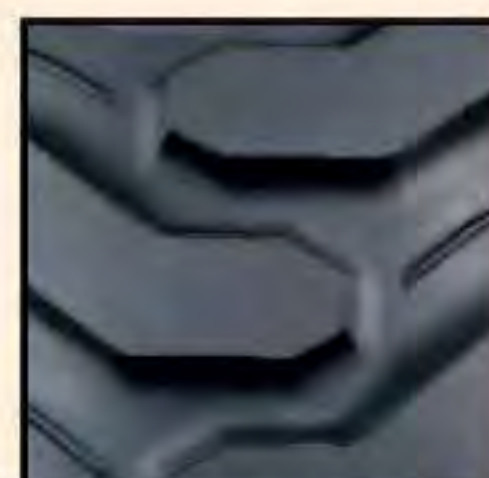
ULTRA GUARD® LVT
Page 54



GUARD DOG® HD
Page 55



TRAC CHIEF®
Page 56



TRAC CHIEF® I-3
Page 56



TRAC CHIEF® XT
Page 57



USA LOADER
Page 57

Carlisle agricultural and construction tires are workhorses of American farm and industry. Applications for farm fronts and rears, implement, skid steer, material handling, backhoes, forklifts, specialty industrial and more.

Carlisle. Tires That Work.™







Ag/Construction

Ag/Construction

Ag Construction

Front Tractor, Wagons, Balers Spreaders, Seeders, & Feedyard Mixers

FARM SPECIALIST® F-2



FARM SPECIALIST® F-2M

FARM SPECIALIST® F-2

Triple rib farm steering tire.

Size	Product Code	Ply Rating	Mounted Diameter	Mounted Width	Rim Width	Max Capacity @30MPH	Max PSI	Tire Weight
4.00 - 15SL F-2 (TT)	52F230	4	24.3	4.4	3.0	585	52	9.5
4.00 - 19SL F-2 (TT)	52F233	4	28.2	4.4	3.0	715	52	12.0
5.00 - 15SL F-2 (TT)	52F235	4	26.0	5.1	3.0	715	44	12.0
7.5L - 15SL F-2 (TT)	52F290	6	29.1	8.0	6.0	1430	44	26.5
9.5L - 15SL F-2 (TL)	52F344	8	31.5	9.9	7.0	1870	48	42.4
9.5L - 15SL F-2 (TT)	52F244	8	31.5	9.9	7.0	1870	48	38.8
11L - 15SL F-2 (TL)	52F318	8	32.0	11.0	8.0	2090	44	52.6
5.50 - 16SL F-2 (TT)	52F239	6	28.0	5.9	4.0	1050	56	18.0
6.00 - 16SL F-2 (TT)	52F275	6	29.1	6.2	4.0	1140	52	19.1
6.00 - 16SL F-2 (TL)	52F375	6	29.1	6.2	4.0	1140	52	20.6
6.50 - 16SL F-2 (TT)	52F281	6	29.8	7.3	4.5	1230	48	21.8
7.50 - 16SL F-2 (TT)	52F283	6	31.8	7.9	5.5	1480	44	27.3
7.50 - 16 SL F-2 (TT)	52F383	6	31.8	7.9	5.5	1480	44	29
7.50 - 16SL F-2 (TL)	52F384	8	31.8	8.0	5.5	1710	56	33.0
10.00 - 16SL F-2 (TT)	52F298	8	34.9	11.0	8.0	2340	44	52.0
10.00 - 16SL F-2 (TL)	52F398	8	34.9	11.0	8.0	2340	44	56.0
11.00 - 16SL F-2 (TT)	52F295	8	37.8	12.6	10.0	2600	40	65.0
11.00 - 16SL F-2 (TL)	52F395	8	37.8	12.6	10.0	2600	40	74.0

FARM SPECIALIST® F-2M

Quad rib farm steering tire.

Size	Product Code	Ply Rating	Mounted Diameter	Mounted Width	Rim Width	Max Capacity @30MPH	Max PSI	Tire Weight
11L - 15SL F-2M (TT)	53F218	8	32.0	10.5	8.0	2090	44	43.3
10.00 - 16SL F-2M (TT)	53F298	8	35.0	10.8	8.0	2340	44	47.0
10.00 - 16SL F-2M (TL)	53F398	8	35.0	10.8	8.0	2340	44	56.0
11.00 - 16SL F-2M (TL)	53F395	8	37.9	12.7	10.0	2600	44	72.0



Ag/Construction

FARM SPECIALIST® F-1 HIGHWAY SERVICE IMPLEMENT

Highway service implement specially designed for intermittent highway speeds for towed vehicle applications. DOT approved for highway speeds.

Size	Product Code	Load Range	Mounted Diameter	Mounted Width	Rim Width	Max Capacity	Max PSI	Tire Weight
9.5L-15FI (TL)	51H359	D	30.2	9.5	7.0	2680	60	37.7
9.5L-15FI (TL)	51H360	E	30.2	9.5	7.0	3080	75	44.6
10.00-15FI (TL)	51H361	D	33.4	11.0	8.0	3960	60	48.0
11L-15FI (TL)	51H386	D	30.6	11.0	8.0	3080	60	45.0
11L-15FI (TL)	51H392	F	30.6	11.0	8.0	3960	90	51.0
12.5L-15FI (TL)	51H3B2	D	32.4	12.5	10.0	3740	60	59.0
12.5L-15FI (TL)	51H387	F	32.4	12.5	10.0	4680	90	66.0
13.50 -15FI (TL)	570124	C	32.0	13.5	10.0	2680	30	62.0



NEW PRODUCT ADVISORY:

Launched in early 2012, the 31x15.5-15 Turf Pro Plus R-3 (Product Code 560589 shown at page 53) is a new size and design added to Carlisle's R-3 product line. The Turf Pro Plus is turf friendly with a rounded shoulder design for minimal turf disturbance, featuring rim guard protection, enhanced sidewalls for on-site damage resistance and an 8 ply rating. General application environments include equipment for landscaping, golf courses, cemeteries and other turf mowing and maintenance requirements. Great for sod loader applications and mobile truck forklifts.



Ag Construction

Front Tractor, Wagons, Balers Spreaders, Seeders, & Feedyard Mixers



FARM SPECIALIST® HF-1

FARM SPECIALIST® I-1



FARM SPECIALIST® HF-1 IMPLEMENT

For wagons, tankers, seeders, balers and other flotation applications.

Size	Product Code	Ply Rating	Mounted Diameter	Mounted Width	Rim Width	Max Capacity @30MPH	Max PSI	Tire Weight
25 x 7.50 -15NHS HF-1(TL)	51F378	6	25.2	7.5	5.5	1230	45	21.6
27 x 9.50 -15NHS HF-1(TL)	51F395	6	27.0	9.0	7.0	1610	45	26.9
31 x 13.50 -15NHS HF-1(TL)	51F397	8	31.8	13.5	10.0	2620	45	50.1
31 x 13.50 -15NHS HF-1(TL)	51F307	10	31.8	13.5	10.0	3080	60	54.5
31 x 13.50 -15NHS HF-1(TL)	570060	12	31.8	13.5	10.0	3520	75	68.0

FARM SPECIALIST® I-1 IMPLEMENT

Multi rib farm tire designed for flotation for use on farm implements, wagons, tanks, carts and other pull behind vehicles.

Size	Product Code	Ply Rating	Mounted Diameter	Mounted Width	Rim Width	Max Capacity @30MPH	Max PSI	Tire Weight
4.00 - 9I-1(TT)	518249	4	17.4	4.8	3.0	550	44	5.0
4.00 - 12 I-1(TT)	518277	4	20.4	5.0	3.0	675	44	7.0
26 x 12 - 12NHS I-1(TL)	510361	4	25.5	11.7	10.5	1780	20	25.0
26 x 12 - 12NHS I-1(TL)	510363	10	25.5	11.7	10.5	3110	52	27.0
26 x 12 - 12NHS I-1(TL)	560474	12	25.5	11.7	10.5	3520	64	33.0
9.5L - 14SL I-1(TT)	51F299	8	29.4	9.2	7.0	2400	44	25.6
9.5L - 14SL I-1(TL)	51F399	8	29.4	9.2	7.0	2400	44	28.5
11L - 14SL I-1(TL)	51F391	8	29.6	10.6	8.0	2470	36	31.8
5.00 - 15SL I-1(TT)	51F235	4	25.2	5.4	4.0	950	36	11.9
5.90 - 15SL I-1(TT)	51F252	4	26.3	6.3	4.5	1140	36	13.4
6.70 - 15SL I-1(TL)	51F388	6	28.2	7.2	4.5	1610	44	18.0
7.60 - 15SL I-1(TL)	51F337	8	28.7	7.9	5.5	2090	52	22.5
9.5L - 15SL I-1(TT)	51F244	8	29.9	9.2	7.0	2470	44	23.1
9.5L - 15SL I-1(TL)	51F344	8	29.9	9.2	7.0	2470	44	26.7
9.5L - 15SL I-1(TL)	51F3D7	12	29.9	9.2	7.0	3000	64	35.0



FARM SPECIALIST® I-1 IMPLEMENT, Continued

Size	Product Code	Ply Rating	Mounted Diameter	Mounted Width	Rim Width	Max Capacity @30MPH	Max PSI	Tire Weight
10.00 - 15SL I-1 (TL)	51F385	8	33.4	11.0	8.0	3200	40	38.0
11L - 15SL I-1 (TT)	51F218	8	30.6	10.7	8.0	2540	36	29.4
11L - 15SL I-1 (TL)	51F318	8	30.6	10.7	8.0	2540	36	33.1
11L - 15SL I-1 (TL)	51F317	12	30.6	10.7	8.0	3200	52	40.0
12.5L - 15SL I-1 (TL)	51F340	8	32.6	12.1	10.0	3000	36	44.8
12.5L - 15SL I-1 (TT)	51F241	10	32.6	12.1	10.0	3420	44	45.0
12.5L - 15SL I-1 (TL)	51F341	10	32.6	12.1	10.0	3420	44	48.3
12.5L - 15SL I-1 (TL)	51F305	12	32.6	12.1	10.0	3860	52	55.0
12.5L - 16SL I-1 (TL)	51F353	14	33.4	12.5	10.0	4180	56	47.1
14L - 16.1SL I-1 (TL)	510131	8	37.0	14.4	11.0	3520	28	76.0
16.5L - 16.1SL I-1 (TL)	561854	10	40.5	16.6	14.0	5200	36	83.0
*18L - 16.1SL I-1(TL)	510130	10	32.5	17.0	14.0	4180	32	77.0
19L - 16.1SL I-1 (TL)	510137	12	42.4	19.0	16.0	6600	36	110.0
21.5L - 16.1SL I-1 (TL)	510135	10	44.5	21.5	18.0	6600	28	114.0
21.5L - 16.1SL I-1 (TL)	510136	14	44.5	21.5	18.0	7650	36	136.0

*7 Rib Design.



FARM SPECIALIST® F-3 INDUSTRIAL FRONT

Husky industrial rib design, wide profile for front backhoe loader service.

Size	Product Code	Ply Rating	Mounted Diameter	Mounted Width	Rim Width	Max Capacity @30MPH	Max PSI	Tire Weight
11L - 16SL F-3 (TL)	565315	10	33.0	11.0	8.00	2470	52	55.0
11L - 16SL F-3 (TL)	565317	12	33.0	11.0	8.00	2760	64	55.0



Ag Construction

Tractor, Wagons, Balers Spreaders, Seeders, & Feedyard Mixers



FARM SPECIALIST® R-1

FARM SPECIALIST® R-1 *Multi Angle Long Bar Design*

General all purpose tractor tire for a multitude of different soil conditions.

Size	Product Code	Ply Rating	Mounted Diameter	Mounted Width	Rim Width	Max Load Capacity @ 25 MPH	Max PSI	Tire Weight
6 -12 (TL)	570030	6	23.0	6.1	5	740	40	16.0
7-14 (TL)	570000	6	27.1	7.4	6	990	36	27.3
7-16 (TL)	570001	6	29.2	7.2	6	1100	36	37.0
8-16 (TL)	570002	6	31.4	8.9	6	1360	28	34.9
9.5 - 16 (TL)	570003	6	33.5	10	8	1390	30	43.5
8.3 - 24 (TL)	570004	6	39.1	8.3	7	1610	34	54.0
9.5 - 24 (TL)	570005	6	41.3	9.5	8	1870	30	65.0
11.2 - 24 (TL)	570006	6	48.3	11.2	10	2090	26	80.0
12.4 - 24 (TL)	570007	4	45.6	12.4	11	1870	16	88.0
12.4 - 24 (TL)	570008	8	45.6	12.4	11	2830	32	93.0
13.6 - 24 (TL)	570009	6	47.6	13.6	12	2680	22	117.0
14.9 - 24 (TL)	570010N	6	49.8	14.9	13	3000	20	131.0
14.9 - 24 (TL)	570110N	8	49.8	14.9	13	3520	26	135.0
11.2 - 28 (TL)	570012N	6	48.0	11.4	10	2200	26	96.0
12.4 - 28 (TL)	570013N	6	50.3	12.4	11	2540	24	115.0
13.6 - 28 (TL)	570016N	6	52.2	13.8	12	2830	22	135.0
14.9 - 28 (TL)	570015N	6	54.6	14.4	13	3200	20	150.0
16.9 - 28 (TL)	570017N	6	56.4	17.3	15	3640	18	183.0
16.9 - 30 (TL)	570019N	6	58.5	16.9	15	3740	18	184.0
16.9 - 30 (TL)	570090N	8	58.5	16.9	15	4400	24	190.0
18.4 - 30 (TL)	570020N	8	61.1	18.4	16	4800	20	229
18.4 - 34 (TL)	570022N	8	65.1	18.4	16	5080	20	249
15.5 - 38 (TL)	570025N	8	61.8	15.5	14	4080	26	183
18.4 - 38 (TL)	570028N	8	69.0	18.8	16	5360	20	264

FARM SPECIALIST® R-1-HA *45 Degree Straight Bar Design*

Long bar design, high angle straight bar tread

Size	Product Code	Ply Rating	Mounted Diameter	Mounted Width	Rim Width	Max Capacity	Max PSI	Tire Weight
9.5-24 (TL)	570034	6	41.3	9.5	8.00	1870	30	60
11.2-24 (TL)	570035	6	43.4	11.2	10.00	2090	26	75
11.2-38 (TL)	570100N	6	57.4	11.6	10.00	2540	26	132
12.4-38 (TL)	570038N	6	59.9	12.4	11.00	2910	24	147
13.6-38 (TL)	570036N	6	61.3	13.8	12.00	3300	22	169



TURF PRO R-3 & TURF PRO PLUS R-3

Designed for turf and mowing applications

Size	Product Code	Ply Rating	Mounted Diameter	Mounted Width	Rim Width	Max Capacity	Max PSI	Tire Weight
13.6 - 16 (TL)	570080	4	38.0	14.2	12.00	1570	14	89
9.5 - 24 (TL)	570084	6	40.3	9.5	8.00	1870	30	52
11.2 - 24 (TL)	570085	6	42.4	11.2	10.00	2080	26	72
31x 15.5-15	560589	8	30.6	14.3	13.00	2760	45	59
Turf Pro Plus R3 31x15.5-15	560589	8	30.6	14.3	13.00	2760	45	59

MULTI TRAC CS R-3

For turf and mowing applications. Flotation with minimal ground disturbance.

Size	Product Code	Ply Rating	Mounted Diameter	Mounted Width	Rim Width	Max Capacity	Max PSI	Tire Weight
36 x 14.00 - 15 (TL)	560361	4	36	14	10	2600	20	59
41 x 14.00 - 20 (TL)	570083	4	42.7	14.5	11	3080	26	100

XTRA GRIP R-4

For industrial traction use.

Size	Product Code	Ply Rating	Mounted Diameter	Mounted Width	Rim Width	Max Capacity	Max PSI	Tire Weight
43 x 16.00 - 20 (TL)	570059	6	43	16	14	3720	30	115

WT300

New turf friendly tread design for tractors with less than 30HP.

Size	Product Code	Ply Rating	Mounted Diameter	Mounted Width	Rim Width	Max Capacity	Max PSI	Tire Weight
26 x 12 x 12	570042	4	25.75	12.4	9.5	1780	20	26.5
18 x 8.50-10	570046	4	18.5	8.5	6.0	830	22	12



Ag Construction

Skid Steers, Backhoes, Subcompact Tractors, Aerial Platform Lifts, Rough Terrain Forklifts



ULTRA GUARD®

Severe service skid steer – Open shoulder design for super rugged fitments on abrasive surface conditions.

Size	Product Code	Ply Rating	Mounted Diameter	Mounted Width	Rim Width	Max Capacity	Max PSI	Tire Weight	Tread Depth (32nds)
10-16.5 (TL)	560402	10	30.4	10.4	8.25	4710	75	79.0	44
12-16.5 (TL)	560403	12	32.7	12.1	9.75	6320	80	98.0	44

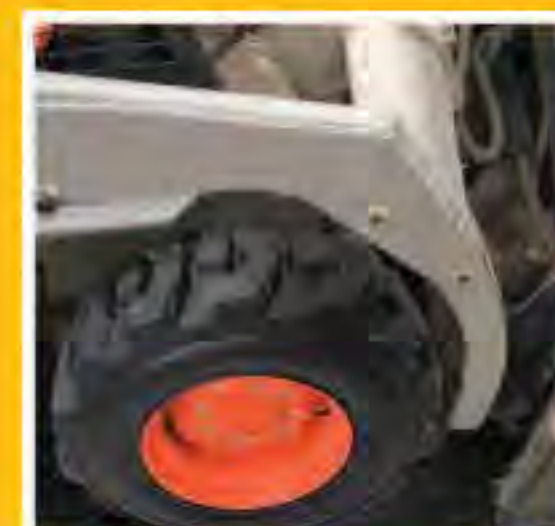
ULTRA GUARD® LVT

Hard surface severe service skid steer – Low tread void for maximum net ground contact, massive footprint & extra premium chip/chunk resistant tread rubber

Size	Product Code	Ply Rating	Mounted Diameter	Mounted Width	Rim Width	Max Capacity	Max PSI	Tire Weight	Tread Depth (32nds)
10-16.5 (TL)	570075	10	31.4	10.4	8.25	4710	75	90	44
12-16.5 (TL)	570076	14	33.5	12.1	9.75	6780	90	114	44
14-17.5 (TL)	570077	14	37.5	13.6	10.5	8540	80	144	44

SEVERE SERVICE SKID STEER – ULTRA GUARD® & ULTRA GUARD® LVT

ULTRA GUARD® – Severe service requirements achieved by combining super rugged heavy duty construction and an abrasion resistant tread compound. Designed to perform even in the most demanding conditions. Extra deep tread depth and heavier ply ratings make this tire a must have for extreme operating environments. LVT design targeted for hard surface and sharp abrasion conditions.





Ag/Construction

GUARD DOG® HD

Premium skid steer – Increased puncture resistance/deeper tread depth.

Size	Product Code	Ply Rating	Mounted Diameter	Mounted Width	Rim Width	Max Capacity	Max PSI	Tire Weight	Tread Depth (32nds)
10-16.5 (TL)	570130	10	30.3	10.8	8.25	4710	75	53	26
12-16.5 (TL)	570131	12	32.9	12.5	9.75	6320	80	78	28
33 X15.50 -16.5 (TL)	570031	12	32.8	14.5	12	6835	60	97	28

PREMIUM SKID STEER – GUARD DOG® HD

The Guard Dog HD's unique tire design was specifically made for applications where increased traction, increased puncture and abrasion resistance are required ensuring optimum service life.



NEW PRODUCT ADVISORY:

The Carlisle WT300, a compact tractor skid steer design for light landscaping and other general use compact tractor applications, is now available. The WT300 features a rounded shoulder contour design and 4 ply construction, available in 18x8.00-10 and 26x12.00-12 sizes. See page 53.





Ag Construction

Skid Steers, Backhoes, Subcompact Tractors, Aerial Platform Lifts, Rough Terrain Forklifts



TRAC CHIEF®

TRAC CHIEF® I-3



TRAC CHIEF®

Standard skid steer - All purpose O.E. level.

Size	Product Code	Ply Rating	Mounted Diameter	Mounted Width	Rim Width	Max Capacity	Max PSI	Tire Weight	Tread Depth (32nds)
5.70 - 12 (TL)	51S3C2	4	22.4	5.7	4.50	1450	60	15.5	17
18 x 8.50 - 10 (TL)	51S311	4	18.2	8.0	7.00	830	22	13.9	16
23 x 8.50 - 12 (TL)	51S3G8	6	22.6	8.4	7.00	1820	50	32.6	14
23 x 8.50 - 14 (TL)	51S388	4	23.0	8.0	7.00	1560	35	23.2	17
25 x 8.50 - 14 (TL)	51S379	6	25.8	8.4	7.00	2130	50	26.7	17
26 x 12.00 - 12 (TL)	51S361	4	25.5	12.4	10.50	1780	20	33.5	19
27 x 8.50 - 15 (TL)	51S339	6	26.7	9.0	7.00	2400	50	28.4	17
27 x 10.50 - 15 (TL)	51S3H7	6	26.8	10.4	8.50	2610	45	33.7	17
27 x 12.50 - 15 (TL)	560484	4	28.0	12.0	10.00	2030	20	39.0	19
28 x 8.50 - 15 (TL)	570139	6	28.0	8.5	7.00	1870	45	28.0	16
29 x 10.50 - 15 (TL)	560410	8	29.0	10.5	8.50	4840	70	44.1	19
10 - 16.5 (TL)	51S3D1	8	30.5	10.7	8.25	4140	60	44.0	19
12 - 16.5 (TL)	51S3J7	10	32.8	12.1	9.75	5600	65	62.0	23
14 - 17.5 (TL)	510039	14	36.7	14.1	10.50	8540	80	109.8	25
15 - 19.5 (TL)	510024	12	39.3	16.2	12.25	9190	60	121.0	26
385/65D19.5 (TL)	511703	16	40.0	16.3	12.25	11000	95	135.0	26

TRAC CHIEF® I-3

Traction implement/backhoe service

Size	Product Code	Ply Rating	Mounted Diameter	Mounted Width	Rim Width	Max Capacity	Max PSI	Tire Weight
10.5/80 - 18 (TL)	*570120	10	35.6	10.8	9.00	3840	54	83
12.5/80 - 18 (TL)	*570121	12	38.5	12.5	9.00	4710	45	99
12.4 - 16 TL)	570122	6	37.2	12.9	11.00	2340	30	80

*With mud breakers between shoulders



Ag Construction

Skid Steers, Backhoes, Subcompact Tractors,
Aerial Platform Lifts, Rough Terrain Forklifts

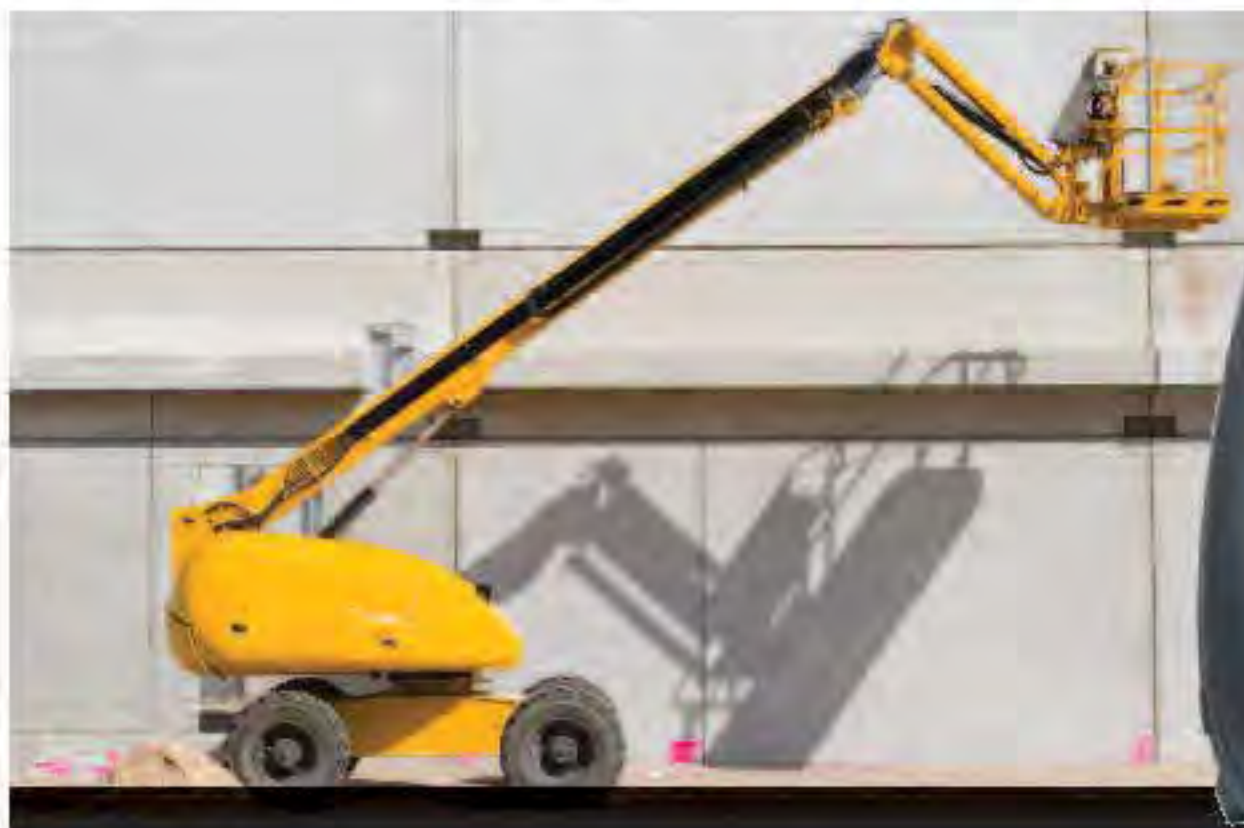


Ag/Construction

TRAC CHIEF[®] XT

Standard skid steer - Extra load

Size	Product Code	Ply Rating	Mounted Diameter	Mounted Width	Rim Width	Max Capacity	Max PSI	Tire Weight	Tread Depth (32nds)
10 - 16.5 (TL)	570140	10	30.6	10.8	8.25	4710	75	49.0	21
12 - 16.5 TL)	570141	12	32.8	12.5	9.75	6320	80	69.0	23



USA LOADER[®]

For aerial platform lifts, backhoes, and skid steer loaders.

Size	Product Code	Ply Rating	Mounted Diameter	Mounted Width	Rim Width	Max Capacity	Max PSI	Tire Weight	Tread Depth (32nds)
10 - 16.5 (TL)	510713	10	30.9	10.9	8.25	4720	75	62.0	26
12 - 16.5 (TL)	510715	8	32.7	12.6	9.75	4810	50	72.8	27
12 - 16.5 (TL)	510716	10	32.7	12.6	9.75	5600	65	76.0	27



Industrial

TREAD VIEW QUICK REFERENCE GUIDE



GROUND FORCE ULTRA RIB
Page 60



PREMIUM WIDE TRAC
Page 61



INDUSTRIAL DEEP TRACTION
Page 62



ROAD ROLLER
Page 62



INDUSTRIAL ALL PURPOSE
Page 62

Carlisle Industrial Tires are offered for a variety of special purpose industrial applications - material handling, forklift, mining, compaction, road paving, and airport ground support equipment, as well as general purpose applications. Engineered to reduce equipment downtime. Year after year, proven performers in industry.

Carlisle Industrial Tires.

Quality. Performance. Durability. Value.

Industrial





Industrial

Industrial Airport Support Equipment



GROUND FORCE ULTRA RIB GSE

Sturdy Rib tread pattern specially designed for optimal performance on ground support equipment.

Size	Product Code	Ply Rating	Mounted Diameter	Mounted Width	Rim Width	Max Load Capacity @10MPH	Max PSI	Tire Weight	Tread Depth (32nds)
4.80 - 8 (TT)	52N242	8	16.5	4.8	3.75	1160	145	10.4	11
5.70 - 8 (TT)	52N208	8	18.4	5.9	3.75	1470	120	12.5	11
6.90 - 9 (TT)	52N260	10	21.6	6.8	4.00	2200	125	23.3	24
6.50 - 10 (TT)	60109	10	23.2	7.1	5.00	2535	115	28.5	24
9.00 - 10 TT*	60108	10	27.2	9.7	6.00	3720	85	34.4	9
175/80D13 (TL)	52N3T9	8	23.7	6.1	5.00	3920	100	26.9	24

*Straight Rib Design

GROUND FORCE ULTRA RIB GSE

Our Ground Force tires combine extra tread depth and Premium tread compound to set a new standard of durability and wear in the ground support industry. Each tire features a built-in rim guard for maximum wheel protection.





Industrial

Material Handling, Mining, Compaction and Road Paving Equipment



PREMIUM WIDE TRAC *Extra Heavy Duty Sidewall*

Material handling applications - Premium level design

Size	Product Code	Load Range	Mounted Diameter	Mounted Width	Rim Width	Max Load Capacity @10MPH	Max PSI	Tire Weight	Tread Depth (32nds)
5.70/5.00 - 8 TT)	60122	10	18.5	5.5	4.5/3.0	2790	150	15.5	17
18 x 7 - 8 (TT)	60114	16	18.3	6.6	4.33	4695	145	23.0	21
18 x 9 - 8 (TT)	54P257	16	18.6	8.5	7.00	5585	150	29.0	20
6.90/6.00 - 9 (TT)	60110	10	22.2	6.0	5.5/4.0	3665	125	28.6	32
6.50 - 10 (TT)	60116	10	23.8	7.1	5.00	4225	115	37.6	32
7.00 - 12 (TT)	60111	12	27.3	7.5	5.00	5995	125	51.1	32
7.50 - 15 (TT)	60117	12	32.4	8.7	6.00	5260	115	61.0	22
28 x 9 - 15 (TT)	60119	12	27.3	8.8	7.00	6880	120	52.2	18
29 x 8 - 15 (TT)	60112	12	28.9	7.5	5.50	6870	125	57.0	32
8.25 - 15 (TT)	60121	14	33.6	9.8	6.50	9385	120	84.3	24
2.50 - 15 (TT)	60123	18	29.1	9.1	7.50	10100	150	67.8	24
3.00 - 15 (TT)	60124	20	32.7	11.3	8.00	14500	135	118.2	26
28 x 12 - 15 (TT)	60115	20	28.1	11.5	9.75	10800	150	82.0	24
7.50 - 16 (TT)	60125	12	32.3	8.5	6.00	8000	115	56.4	22

FORKLIFT/MATERIAL HANDLING:

Premium Wide Trac, Industrial Deep Traction

Heavy ply construction and increased gauge deliver optimum tire life, while stabilizing features such as a larger tread volume and a wide, flat profile insure each of our forklift tires will deliver excellent performance.





Industrial

Industrial

Material Handling, Mining, Compaction and Road Paving Equipment



INDUSTRIAL DEEP TRACTION

ROAD ROLLER

INDUSTRIAL ALL PURPOSE



INDUSTRIAL DEEP TRACTION *Reinforced bead area*

Standard duty forklift tire.

Size	Tread Product Code	Ply Rating	Mounted Diameter	Mounted Width	Rim Width	Max Load Capacity @10MPH	Max PSI	Tire Weight	Tread Depth (32nds)
5.70/5.00 - 8 (TT)	60126	8	18.2	5.5	4.5/3.0	2450	120	11.5	9
6.90/6.00 - 9 (TT)	60101	10	21.9	6.9	5.5/4.0	3665	125	20.2	19
6.50 - 10 (TT)	60105	10	23.4	7.4	5.00	4225	115	26.3	20
7.00 - 12 (TT)	60102	12	27.4	7.8	5.00	5995	125	36.3	21
8.25 - 15 (TT)	60104	12	33.6	9.8	6.50	8680	105	58.7	23
29 x 8 - 15 (TT)	60104	12	29.2	7.5	5.50	6870	125	47.5	25

ROAD ROLLER

Smooth tread for paving with superior heat resistant nylon fabric panels.

Size	Tread Product Code	Load Range	Mounted Diameter	Mounted Width	Rim Width	Max Load Capacity @10MPH	Max PSI	Tire Weight	Tread Depth (32nds)
*7.50 - 15 (TT)	60127	12	30.9	8.6	6.00	5860	110	45.5	NA
7.50 - 15 (TT)	60128	14	30.9	8.6	6.00	6300	125	45.5	NA
**8.5/90-15K (TL)	58R3A2	6	30.9	8.6	6.00	3900	50	39.8	NA

* For 7.50-15 size tube type. Use 5 degree flat base rim.

** For 5 Degree Drop Center Rim only

INDUSTRIAL ALL PURPOSE

General purpose rib design

Size	Tread Product Code	Load Range	Mounted Diameter	Mounted Width	Rim Width	Max Load Capacity @10MPH	Max PSI	Tire Weight	Tread Depth (32nds)
7.50-10 (TT)	60100	E	25.3	7.6	5.5	1975	90	22	12

Industrial



NOTES:

Lined writing area consisting of multiple horizontal lines for taking notes.



Wheels - Ag & Trailer





Wheels

Carlisle Steel Ag & Trailer Wheels

Black Rock Toy Hauler Collection – Aluminum Trailer Wheels



Wheels - Agriculture

Front Tractors, Wagons, Balers, Spreaders, Seeders, Irrigation Systems & Feedyard Scrapers



141 SERIES AG WHEELS WITHOUT VALVE GUARD*

Size	Product Code	Bolt Pattern	Diameter Pilot Hole	Offset	Weight
15 x 6	1519293038	6 on 6	4.62"	+1.12"	23.0
15 x 8	1519294038	6 on 6	4.62"	+1.12"	27.0
15 x 8	1519299038	8 on 8	6.015"	-38	27.0
15 x 10	1519300038	8 on 8	6.015"	-38	32.0
16 x 6	1619296038	6 on 6	4.638"	+25	31.0
16 x 8	1619301038	8 on 8	6.015"	-38	34.0

* Valve Guard Available



771 SERIES AG WHEEL WITHOUT VALVE GUARD

Size	Product Code	Bolt Pattern	Diameter Pilot Hole	Offset	Weight
15 x 5	1529713038	6 on 6	4.638"	+29"	21
15 x 6	1529771038	6 on 6	4.638"	+29"	24
15 x 8	1529885038	6 on 6	4.638"	+29"	29
15 x 10	1529843038	6 on 6	4.638"	+29"	32



Steel Wheels - Trailers - Unboxed - Palletized

Boat Trailers, Cargo Trailers, Horse & Stock Trailers, RV-Towable Utility & Specialty Trailers

HIGHWAY STANDARD WHEEL

Size	Bolt Pattern	White	Offset	Diameter Pilot Hole	Lugs	Weight	Load Capacity
8 x 3.75	4 on 4	0815443266	0	2.812"	4	4.7	900
8 x 3.75	5 on 4.5	0810923266	0	2.812"	5	4.7	900
8 x 5.375	4 on 4	0815293266	-.75	2.812"	4	5.5	900
8 x 5.375	5 on 4.5	0815295266	-.75	2.812"	5	5.5	900
8 x 7	4 on 4	0815301266	0	2.500"	4	6.5	900
8 x 7	5 on 4.5	0815299266	0	2.812"	5	6.5	900
10 x 6	4 on 4	1015239266	0	2.500"	4	10.6	1330
10 x 6	5 on 4.5	1015240266	0	2.812"	5	10.6	1535



Steel Wheels - Trailers - Unboxed - Palletized, Continued

Boat Trailers, Cargo Trailers, Horse & Stock Trailers, RV-Towable Utility & Specialty Trailers

HIGHWAY SUPREME WHEEL

Size	Bolt Pattern			Diameter Pilot Hole	Lugs	Weight	Load Capacity
		White	Offset				
13 x 4.5	5 on 4.5	1318371564	0	3.300	4	13.0	1480
14 x 6	5 on 4.5	1418221564	0	3.300	5	20.0	1870
15 x 6	5 on 5.5	1518278564	0	4.280	5	22.0	2150
16 x 6	6 on 5.5	1618329564	0	4.280	6	27.0	3200
16 x 6	8 on 6.5	1618330564	0	5.150	8	27.0	3640



HIGHWAY EIGHT SPOKE WHEEL

Size	Bolt Pattern			Diameter Pilot Hole	Lugs	Weight	Load Capacity
		White	Offset				
12 x 4	4 on 4	1221135564	-1/8"	2.800	4	10.0	1045
12 x 4	5 on 4.5	1221131564	-1/8"	2.800	5	10.0	1045
13 x 4.5	4 on 4	1318077564	-1/8"	2.800	4	13.0	1100
13 x 4.5	5 on 4.5	1321136564	-1/8"	3.300	5	13.0	1480
14 x 6	5 on 4.5	1421137564	0	3.300	5	20.0	1870
15 x 6	5 on 4.5	1521138564	0	3.300	5	22.0	2150
15 x 6	6 on 5.5	1521139564	0	4.280	6	22.0	2540
16 x 6	6 on 5.5	1618326564	0	4.280	6	27.0	3200
16 x 6	8 on 6.5	1618327564	0	5.150	8	27.0	3640



HIGHWAY (DOT) APPROVED TRAILER WHEELS :

Standard, Supreme, and Eight Spoke

Our extensive offering of styles and finishes fit all popular trailer tire sizes. These sturdy, reliable wheels are suitable for most trailer applications.



Boxed Trailer Wheel Program

Boat Trailers, Cargo Trailers, Horse & Stock Trailers, RV-Towable Utility & Specialty

CHROME SOFT 8 WHEEL

Part Number	Rim Size	Diameter Bolt Pattern	Bolt Circle	Pilot Hole	Offset (+/-)	Rear Spacing	Capacity	Shipping Weight	Pallet Quantity
CHROME									
2985612	15x6	5	4.5	3.300	0	3 1/2"	2150	23	48
2985660	15x6	6	5.5	4.280	0	3 1/2"	2540	23	48
2985712	15x7	5	4.5	3.300	- 1/2"	3 1/2"	2150	25	36
2985760	15x7	6	5.5	4.280	- 1/2"	3 1/2"	2540	25	36
2987760	16x7	6	5.5	4.28	0	4"	3200	35	36
2987780	16x7	8	6.5	5.15	0	4"	3640	35	36



CHROME DIRECTIONAL WHEEL

Part Number	Rim Size	Diameter Bolt Pattern	Bolt Circle	Pilot Hole	Offset (+/-)	Rear Spacing	Capacity	Shipping Weight	Pallet Quantity
CHROME									
713412	13x4.5	5	4.50	3.300	- 1/8"	2 5/8"	1360	13	72
714612	14x6	5	4.50	3.300	0	3 1/2"	1870	20	48
715612	15x6	5	4.50	3.300	0	3 1/2"	2150	23	48
715660	15x6	6	5.50	4.280	0	3 1/2"	2540	23	48



Boxed Trailer Wheel Program

Boat Trailers, Cargo Trailers, Horse & Stock Trailers, RV-Towable Utility & Specialty

CHROME MODULAR WHEEL

Part Number	Rim Size	Diameter Bolt Pattern	Bolt Circle	Pilot Hole	Offset (+/-)	Rear Spacing	Capacity	Shipping Weight	Pallet Quantity
CHROME									
964612	14x6	5	4.50	3.300	0	3 1/2"	1870	20	48
965512	15x5	5	4.50	3.300	- 5/8"	2 3/8"	1870	20	56
965612	15x6	5	4.50	3.300	0	3 1/2"	2150	22	48
965660	15x6	6	5.50	4.280	0	3 1/2"	2540	22	48
966560	16x6	6	5.50	4.280	0	3 1/2"	3200	27	36
966580	16x6	8	6.50	5.150	0	3 1/2"	3200	27	36
967780	16x7	8	6.50	5.150	0	4"	3100	29	36



8 SPOKE-CHROME, GALVANIZED, WHITE WHEEL

Chrome Part Number	Galvanized Part Number	White Part Number	Rim Size	Bolt Pattern	Bolt Circle	Pilot Hole	Offset (+/-)	Rear Spacing	Capacity	Shipping Weight	Pallet Quantity
272404	282404	212404	12x4	4	4.00	2.800	- 1/8"	2 3/8"	1045	10	96
272412	282412	212412	12x4	5	4.50	2.800	- 1/8"	2 3/8"	1045	10	96
N/A	283404	213404	13x4.5	4	4.00	2.800	- 1/8"	2 5/8"	1100	13	72
273412	283412	213412	13x4.5	5	4.50	3.300	- 1/8"	2 5/8"	1480	13	72
N/A	N/A	214412	14x5.5	5	4.50	3.300	0	3 1/4"	1870	17	48
274612	284612	214612	14x6	5	4.50	3.300	0	3 1/2"	1870	20	48
N/A	N/A	215512	15x5	5	4.50	3.300	- 5/8"	2 3/8"	1870	20	56
N/A	N/A	215534	15x5	5	4.75	3.300	- 5/8"	2 3/8"	1870	20	56
N/A	N/A	215550	15x5	5	5.00	3.300	- 5/8"	2 3/8"	1870	20	56
275612	285612	215612	15x6	5	4.50	3.300	0	3 1/2"	2150	22	48
275634	N/A	215634	15x6	5	4.75	3.300	0	3 1/2"	2150	22	48
275650	N/A	215650	15x6	5	5.00	3.300	0	3 1/2"	2150	22	48
275655	N/A	215655	15x6	5	5.50	4.280	0	3 1/2"	2150	22	48
275660	285660	215660	15x6	6	5.50	4.280	0	3 1/2"	2540	23	48
276560	286560	216560	16x6	6	5.50	4.280	0	3 1/2"	3200	27	36
276580	286580	216580	16x6	8	6.50	5.150	0	3 1/2"	3640	27	36
276660	286660	216660	16.5x6.75	6	5.50	4.280	+ 1/8"	4"	3000	32	30



Wheels - Ag & Trailer



Boxed Trailer Wheel Program

Boat Trailers, Cargo Trailers, Horse & Stock Trailers, RV-Towable Utility & Specialty

SUPREME-SILVER, GALVANIZED, WHITE WHEEL

Silver Part Number	Galvanized Part Number	White Part Number	Rim Size	Bolt Pattern	Bolt Circle	Pilot Hole	Offset (+/-)	Rear Spacing	Capacity	Shipping Weight	Pallet Quantity
	562404	552404	12x4	4	4.00	2.800	- 1/8"	2 3/8"	1045	10	96
	562412	552412	12x4	5	4.50	2.800	- 1/8"	2 3/8"	1220	10	96
	563404T	553404	13x4.5	4	4.00	2.800	- 1/8"	2 5/8"	1100	13	72
2293412	563412T	553412	13x4.5	5	4.50	3.300	- 1/8"	2 5/8"	1480	13	72
2294412	564412	554412	14x5.5	5	4.50	3.300	0	3 1/4"	1870	17	48
2294612	564612	554612	14x6	5	4.50	3.300	0	3 1/2"	1870	20	48
2295512		555512	15x5	5	4.50	3.300	- 5/8"	2 3/8"	1870	20	56
2295550		555550	15x5	5	5.00	3.300	- 5/8"	2 3/8"	1870	20	56
2295612	565612	555612	15x6	5	4.50	3.300	0	3 1/2"	2150	22	48
2295650		555650	15x6	5	5.00	3.300	0	3 1/2"	2150	22	48
2295660	565660	555660	15x6	6	5.50	4.280	0	3 1/2"	2540	22	48
2296560	566560	556560	16x6	6	5.50	4.280	0	3 1/2"	3200	27	36
2296580	566580	556580	16x6	8	6.50	5.150	0	3 1/2"	3640	27	36
2296580HP	566580HP	556580HP	16x6	8	6.50	5.150	+ 1/2"	4"	3960	28	36
2296580H	566580H	556580H	16x6	8	6.50	5.150	0	3 1/2"	3960	28	36
2297760		557760	16x7	8	6.50	5.150	0	4"	3100	29	30



STANDARD-GALVANIZED, WHITE WHEEL

Galvanized Part Number	White Part Number	Rim Size	Bolt Pattern	Bolt Circle	Pilot Hole	Offset (+/-)	Rear Spacing	Capacity	Shipping Weight	Pallet Quantity
1158304	018304	8x3.75	4	4.00	2.812"	0	2 3/8"	900	4.5	180
1158312	018312	8x3.75	5	4.50	2.812"	0	2 3/8"	900	4.5	180
1158504	018504	8x5.375	4	4.00	2.812"	-.75	2 7/16"	900	5.0	140
1158512	018512	8x5.375	5	4.50	2.812"	-.75	2 7/16"	900	5.0	140
1158704	018704	8x7	4	4.00	2.500"	0	4"	900	6.5	120
1158712	018712	8x7	5	4.50	2.812"	0	4"	900	6.5	120
1151604	011604	10x6	4	4.00	2.500"	0	3 1/2"	1330	10.5	84
1151612	011612	10x6	5	4.50	2.812"	0	3 1/2"	1535	10.5	84



Boxed Trailer Wheel Program

Boat Trailers, Cargo Trailers, Horse & Stock Trailers, RV-Towable Utility & Specialty

4 WINDOW DUAL TRAILER WHEEL

284 Silver Part Number	Rim Size	Bolt Pattern	Bolt Circle	Pilot Hole	Offset (+/-)	Rear Spacing	Capacity	Shipping Weight	Pallet Quantity
1796580F22	16x6	8	6.50	4.88	N/A	8 5/8"	3200	43	30
1796580F32	16x6	8	6.50	4.77	N/A	8 5/8"	3200	43	30



CONVENTIONAL TRAILER WHEEL

284 Silver Part Number	Rim Size	Bolt Pattern	Bolt Circle	Pilot Hole	Offset (+/-)	Rear Spacing	Capacity	Shipping Weight	Pallet Quantity
2826580	16x6	8	6.50	4.880	+ .50	4"	3960	27	36



Wheels - Ag & Trailer



Aluminum Boxed Trailer Wheel Program

Boat Trailers, Cargo Trailers, Horse & Stock Trailers, RV-Towable Utility & Specialty

04-STAR ALUMINUM WHEEL

Part Number	Rim Size	Bolt Pattern	Bolt Circle	Pilot Hole	Offset (+/-)	Rear Spacing	Capacity	Shipping Weight	Pallet Quantity
1122412	12x4	5	4.50	3.190	0	2 1/2"	1520	11	96
1123512	13x5	5	4.50	3.190	0	3"	1660	13	72
1124412T	14x5.5	5	4.50	3.190	0	3 1/4"	1900	14	48
1125512T	15x5	5	4.50	3.190	0	3"	1820	18	48
1125612T	15x6	5	4.50	3.190	0	3 1/2"	2150	21	40
1125660T	15x6	6	5.50	4.280	0	3 1/2"	2830	21	40
1126580	16x6	8	6.50	4.900	- 8	3.19"	3960	22	36
1127760	16x7	6	5.50	4.280	+ 5	4 20"	3200	23	36
1127780	16x7	8	6.50	5.150	+ 5	4 20"	3200	23	36



PHANTOM 7 ALUMINUM WHEEL

537 Mach W/CC Part Number	Rim Size	Bolt Pattern	Bolt Circle	Pilot Hole	Offset (+/-)	Rear Spacing	Capacity	Shipping Weight	Pallet Quantity
1421312546	14x5.5	5	4.50	3.195	0	3 1/4"	1870	15	40
1521117546	15x5	5	4.50	3.190	0	3"	1820	18	54
1521313546	15x6	6	5.50	4.280	0	3 1/2"	2830	20	40



Aluminum Boxed Trailer Wheel Program

Boat Trailers, Cargo Trailers, Horse & Stock Trailers, RV-Towable Utility & Specialty

154 - MODULAR ONE PIECE ALUMINUM WHEEL

Part Number	Rim Size	Bolt Pattern	Bolt Circle	Pilot Hole	Offset (+/-)	Rear Spacing	Capacity	Shipping Weight	Cap Part Number	Pallet Quantity
1544512	14x5.5	5	4.5	3.195	0	3 1/4"	1900	15	A-KSS3195T	48
1545612	15x6	5	4.5	3.195	0	3 1/2"	2150	21	A-KSS3195T	40
1545660	15x6	6	5.5	4.280	0	3 1/2"	2830	21	A-KSS4280T	40
1540762H	16x7	6	6.5	4.500	0	3 3/4"	3300	25	A-KSS4260T	30



Black Rock Series 908B Yuma Toy Hauler Wheel

- Name: Series 908B Yuma
- Construction: 1-Piece Aluminum
- Finish: Matte Black
- Offset: RWD
- Lug Nut Type: Conical Seat, Not Included, Order Separately
- Engineered and Tested for Trailer Use
- S.A.E. J1204 Compliant
- Torq Lock™ Mounting System
- Steel Lug Inserts



BLACK ROCK
TOY HAULER WHEELS

Part Number	Rim Size	Bolt Pattern	Offset (+/-)	Rear Spacing	Shipping Weight	Center Bore	Contour	Capacity
MATTE BLACK								
908B561235	15x6	5x4.5	0	3 1/2"	20	3.195	J	2150
908B566035	15x6	6x5.5	0	3 1/2"	20	4.280	J	2830
908B668035	16x6	8x6.5	0	3 1/2"	24	4.900	J	3960

Black Rock Series 908M Yuma Toy Hauler Wheel

- Name: Series 908M Yuma
- Construction: 1-Piece Aluminum
- Finish: Machined / Clear Coated
- Offset: RWD
- Lug Nut Type: Conical Seat, Not Included, Order Separately
- Engineered and Tested for Trailer Use
- S.A.E. J1204 Compliant
- Torq Lock™ Mounting System
- Steel Lug Inserts



BLACK ROCK
TOY HAULER WHEELS

Part Number	Rim Size	Bolt Pattern	Offset (+/-)	Rear Spacing	Shipping Weight	Center Bore	Contour	Capacity
MACHINED W/CLEAR COAT								
908M561235	15x6	5x4.5	0	3 1/2"	20	3.195	J	2150
908M566035	15x6	6x5.5	0	3 1/2"	20	4.280	J	2830
908M668035	16x6	8x6.5	0	3 1/2"	24	4.900	J	3960



Black Rock Series 910B Intruder Toy Hauler Wheel

- Name: Series 910B Intruder
- Construction: 1-Piece Aluminum
- Finish: Matte Black
- Offset: RWD
- Lug Nut Type: Conical Seat, Not Included, Order Separately
- Engineered and Tested for Trailer Use
- S.A.E. J1204 Compliant
- Torq Lock™ Mounting System
- Steel Lug Inserts



BLACK ROCK
TOY HAULER WHEELS

Part Number	Rim Size	Bolt Pattern	Offset (+/-)	Rear Spacing	Shipping Weight	Center Bore	Capacity
MATTE BLACK							
910B561235	15x6	5x4.5	0	3 1/2"	20	3.195	2150
910B566035	15x6	6x5.5	0	3 1/2"	20	4.280	2830
910B668035	16x6	6x5.5	0	3 1/2"	24	4.900	3960

Black Rock Series 910S Intruder Toy Hauler Wheel

- Name: Series 910S Intruder
- Construction: 1-Piece Aluminum
- Finish: Silver Paint/Machined
- Offset: RWD
- Lug Nut Type: Conical Seat, Not Included, Order Separately
- Engineered and Tested for Trailer Use
- S.A.E. J1204 Compliant
- Torq Lock™ Mounting System
- Steel Lug Inserts



BLACK ROCK
TOY HAULER WHEELS

Part Number	Rim Size	Bolt Pattern	Offset (+/-)	Rear Spacing	Shipping Weight	Center Bore	Capacity
SILVER PAINT MACHINED							
910S561235	15x6	5x4.5	0	3 1/2"	20	3.195	2150
910S566035	15x6	6x5.5	0	3 1/2"	20	4.280	2830
910S668035	16x6	6x5.5	0	3 1/2"	24	4.900	3960



Black Rock Series 914S Route 66 Toy Hauler Wheel

- Name: Series 914S Route 66
- Construction: 1-Piece Aluminum
- Finish: Silver Painted/Clear Coated
- Offset: RWD
- Lug Nut Type: Conical Seat, Not Included, Order Separately
- Engineered and Tested for Trailer Use
- S.A.E. J1204 Compliant
- Torq Lock™ Mounting System
- Steel Lug Inserts



BLACK ROCK®
TOY HAULER WHEELS

Part Number	Rim Size	Bolt Pattern	Offset (+/-)	Rear Spacing	Shipping Weight	Center Bore	Capacity	Push Thru Cap#
SILVER PAINTED W/CLEAR COAT								
914S561235	15x6	5x4.5	0	3 1/2"	20	3.195	2150	131911BR
914S566035	15x6	6x5.5	0	3 1/2"	20	4.280	2830	142311BR
914S668035	16x6	8x6.5	0	3 1/2"	24	4.900	3960	149011BR

Black Rock Series 914A Route 66 Toy Hauler Wheel

- Name: Series Series 914A Route 66
- Construction: 1-Piece Aluminum
- Finish: Anthracite Gray Painted/ Machined Lip/ Clear Coated
- Offset: RWD
- Lug Nut Type: Conical Seat, Not Included, Order Separately
- Engineered and Tested for Trailer Use
- S.A.E. J1204 Compliant
- Torq Lock™ Mounting System
- Steel Lug Inserts



BLACK ROCK®
TOY HAULER WHEELS

Part Number	Rim Size	Bolt Pattern	Offset (+/-)	Rear Spacing	Shipping Weight	Center Bore	Capacity	Push Thru Cap#
ANTHRACITE GRAY								
914A561235	15x6	5x4.5	0	3 1/2"	20	3.195	2150	131911BR
914A566035	15x6	6x5.5	0	3 1/2"	20	4.280	2830	142311BR
914A668035	16x6	8x6.5	0	3 1/2"	24	4.900	3960	149011BR



Black Rock Series 915S Route 66 Toy Hauler Wheel

- Name: Series 915S Route 66
- Construction: 1-Piece Aluminum
- Finish: Silver Painted/Clear Coated
- Offset: RWD
- Covered Lug Cap Included
- Lug Nut Type: Conical Seat, Not Included, Order Separately
- Engineered and Tested for Trailer Use
- S.A.E. J1204 Compliant
- Torq Lock™ Mounting System
- Steel Lug Inserts



BLACK ROCK
TOY HAULER WHEELS

Part Number	Rim Size	Bolt Pattern	Offset (+/-)	Rear Spacing	Shipping Weight	Center Bore	Capacity	Covered Lug Cap Number
SILVER PAINTED W/CLEAR COAT								
915S561235	15x6	5x4.5	0	3 1/2"	20	3.19	2150	591532BR26
915S566035	15x6	6x5.5	0	3 1/2"	20	4.28	2830	591532BR26
915S668035	16x6	8x6.5	0	3 1/2"	24	4.90	3960	591532BR26

Black Rock Series 922MB and 922MS CrossTrax Toy Hauler Wheel

- Name: Series 922MB and MS CrossTrax
- Construction: 1-Piece Aluminum
- Finish: MB: Machined W/Black Accents/Clear Coated
- Finish: MS: Machined W/Silver Accents/Clear Coated
- Offset: "0" RWD
- Lug Nut Type: Conical Seat, Not Included, Order Separately
- Engineered and Tested for Trailer Use
- S.A.E. J1204 Compliant
- Torq Lock™ Mounting System
- Steel Lug Inserts
- 12" and 13" sizes designed with 5 spokes

12" & 13"
CrossTrax



14", 15", and 16" CrossTrax

BLACK ROCK
TOY HAULER WHEELS

Part Number	Rim Size	Bolt Pattern	Offset (+/-)	Rear Spacing	Shipping Weight	Center Bore	Load Rating	Cap Part Number
MACHINED & BLACK ACCENTS W/CLEAR COAT								
922MB241225	12x4	5x4.5	0	2 1/2"	9	3.195	1520	231922BR
922MB351227	13x5	5x4.5	0	2 3/4"	13	3.195	1660	231922BR
922MB4551232	14x5.5	5x4.5	0	3 1/4"	15	3.195	1900	231922BR
922MB561235	15x6	5x4.5	0	3 1/2"	15	3.195	2150	231922BR
922MB566035	15x6	6x5.5	0	3 1/2"	18	4.280	2830	242522BR
922MB666035	16x6	6x5.5	0	3 1/2"	20	4.280	3200	242522BR
922MB668035	16x6	8x6.5	0	3 1/2"	20	4.900	3960	249022BR
MACHINED & SILVER ACCENTS W/CLEAR COAT								
922MS241225	12x4	5x4.5	0	2 1/2"	9	3.195	1520	231922BR
922MS351227	13x5	5x4.5	0	2 3/4"	13	3.195	1660	231922BR
922MS4551232	14x5.5	5x4.5	0	3 1/4"	15	3.195	1900	231922BR
922MS561235	15x6	5x4.5	0	3 1/2"	15	3.195	2150	231922BR
922MS566035	15x6	6x5.5	0	3 1/2"	18	4.280	2830	242522BR
922MS666035	16x6	6x5.5	0	3 1/2"	20	4.280	3200	242522BR
922MS668035	16x6	8x6.5	0	3 1/2"	20	4.900	3960	249022BR



Black Rock Series 921MB Intrepid Toy Hauler Wheel

- Name: Series 921MB Intrepid
- Construction: 1-Piece Aluminum
- Finish: Machined Finish w/Black Accents
- Offset: RWD
- Lug Nut Type: Conical Seat, Not Included, Order Separately

- Engineered and Tested for Trailer Use
- S.A.E. J1204 Compliant
- Torq Lock™ Mounting System
- Steel Lug Inserts



BLACK ROCK
TOY HAULER WHEELS

Part Number	Rim Size	Bolt Pattern	Offset (+/-)	Rear Spacing	Shipping Weight	Center Bore	Load Rating	Exposed Lug Cap#
MACHINED FINISH W/BLACK ACCENTS								
921MB451232	14x5.5	5x4.5	0	3 1/4"	16	3.195	2150	231923BR
921MB561235	15x6	5x4.5	0	3 1/2"	19	3.195	2150	231923BR

Black Rock Series 921MS Intrepid Toy Hauler Wheel

- Name: Series Series 921MS Intrepid
- Construction: 1-Piece Aluminum
- Finish: Machined Finish w/Silver Accents
- Offset: RWD
- Lug Nut Type: Conical Seat, Not Included, Order Separately

- Engineered and Tested for Trailer Use
- S.A.E. J1204 Compliant
- Torq Lock™ Mounting System
- Steel Lug Inserts



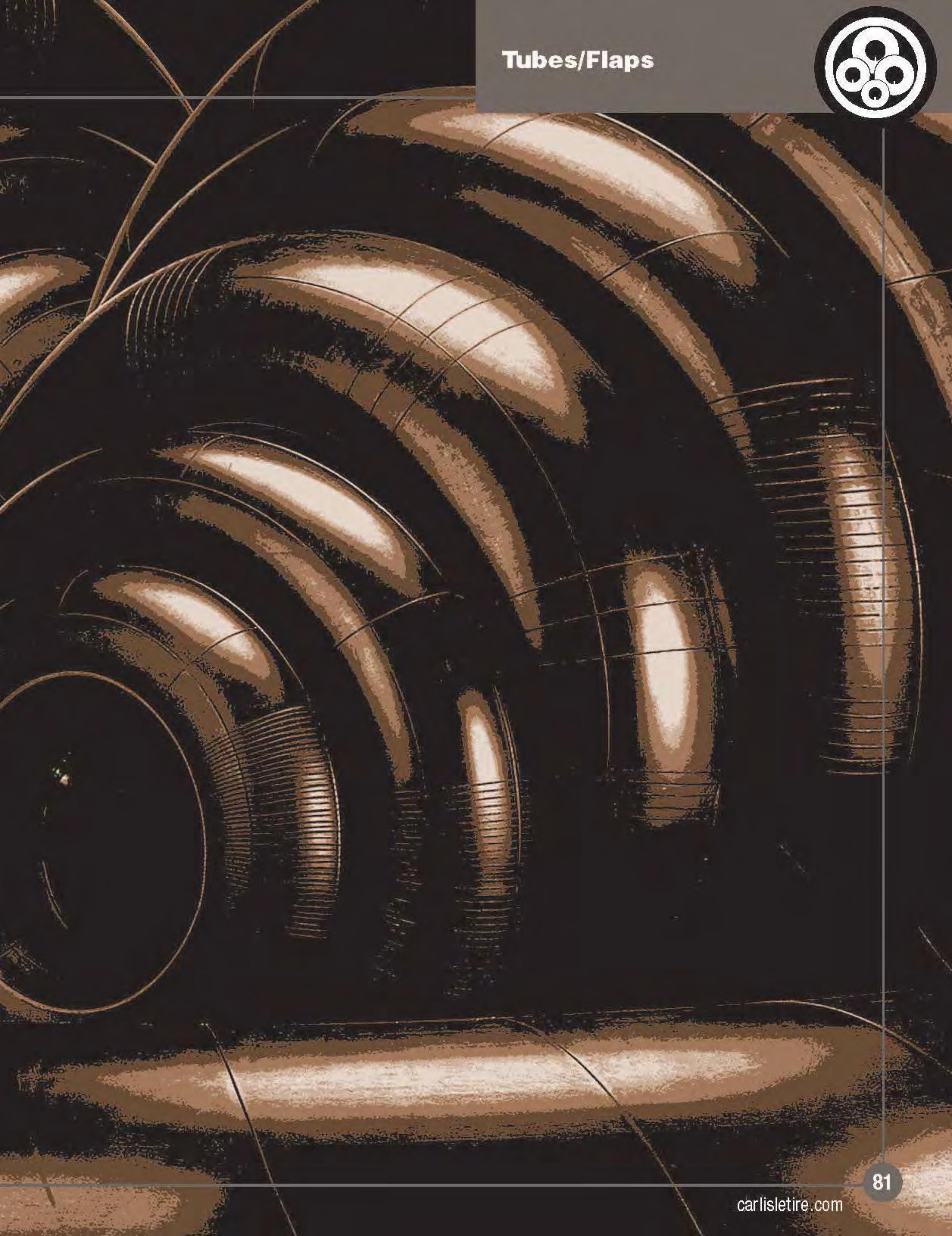
BLACK ROCK
TOY HAULER WHEELS

Part Number	Rim Size	Bolt Pattern	Offset (+/-)	Rear Spacing	Shipping Weight	Center Bore	Load Rating	Exposed Lug Cap#
MACHINED FINISH W/SILVER ACCENTS								
921MS451232	14x5.5	5x4.5	0	3 1/4"	16	3.195	2150	231923BR
921MS561235	15x6	5x4.5	0	3 1/2"	19	3.195	2150	231923BR



Carlisle Tubes

Tires in certain agricultural, industrial and other application segments are designed for use with tubes. Correct use of tire tubes can prevent air leakage, sustain long term use, reduce rolling resistance, support heavy loads, preserve tread life, and offer resistance to age and heat-related failure. Carlisle tubes have been designed for best air retention properties, high dimensional stability during service and reduced equipment downtime.





Tubes/Flaps

Lawn & Garden, Industrial, ATV, Golf Car, Truck, Passenger, Farm, Grader & Mining Applications

LAWN & GARDEN, INDUSTRIAL, TRAILER

Size	Product Code	Valve	Unit Weight	Units Per Case
9 x 3.50 - 4	320030	TR87	0.4	10
9 x 3.50 - 4	320031	JS87P	0.4	10
2.80/2.50 - 4	320050	TR87	0.3	10
2.80/2.50 - 4	320010	JS87P	0.3	10
4.10/3.50 - 4	320100	TR87	0.4	10
4.10/3.50 - 4	320040	TR13	0.4	10
4.10/3.50 - 4	320020	JS87P	0.4	10
3.40/3.00 - 5	320150	TR87	0.4	10
4.10/3.50 - 5	320200	TR87	0.6	10
4.10/3.50 - 5	320070	TR13	0.5	10
4.10/3.50 - 5	320060	JS87P	0.5	10
10/4.50 - 5	323980	TR87	0.5	10
11/4.00 - 5	320080	TR87	0.5	10
11/6.00 - 5	323520	TR87	0.6	10
11/7.10 - 5	323970	TR87	0.7	10
4.10/3.50 - 6	320250	TR87	0.5	10
4.10/3.50 - 6	320160	TR13	0.6	10
13 x 5.00 - 6	320260	TR87	0.6	10
13 x 5.00 - 6	323790	TR13	0.6	10
13x6.50 - 6	320090	TR87	0.6	10
13x6.50 - 6	320170	TR13	0.6	10
5.30/4.50 - 6	320270	TR87	0.6	10
15 x 6.00 - 6	320290	TR87	0.8	10
15 x 6.00 - 6	323800	TR13	0.8	10
3.00 - 8	320110	TR13	0.5	10
3.50/4.00 - 8	320120	TR13	0.5	10
3.50/4.00 - 8	320360	TR87	0.5	10
4.80/4.00 - 8	320400	TR13	0.5	10
4.80/4.00 - 8	320130	JS87C	0.6	10
5.70/5.00 - 8	320450	TR13	1.0	10
16 x 6.50/7.50 - 8	320420	TR13	1.0	10
20x7 - 8	320140	TR6	1.6	10
18 x 6.50/8.50/9.50 - 8				
20 x 8.00/10.00 - 8	320410	TR13	1.6	10
6.90/6.00 - 9	321500	TR13	1.5	10
20 x 8.00/10.00 - 10	320770	TR13	1.8	10
6.00-12	323843	TR13	1.8	10
4.80/5.30-12 COMBO	320901	TR13	1.3	10
23 x 8.50/9.50/10.50-12	321370	TR13	3.3	10
26 x 12 - 12	321050	TR13	3.4	10

RADIAL ATV

AT21/22 x 11/12R8	320440	TR6	1.6	10
AT25 x 12/13R9	321520	TR6	2.2	10
AT20 x 8/10R10	320771	TR6	1.6	10
AT22/23 x 8R11/12	321371	TR6	3.3	10

RADIAL ATV, CONTINUED

Size	Product Code	Valve	Unit Weight	Units Per Case
AT24/26 x 12R12	321051	TR6	3.4	10
AT 26 x 8/9 R14	324500	TR6	2	10

RADIAL PASSENGER

DR12/4.00/4.50/4.80/5.30-12	323844	TR13	.9	10
ER 12/13	322160	TR13	0.9	10
FR 13/14	322010	TR13	1.6	10
FR 15	322170	TR13	1.4	10
GR 13/14/15	322020	TR13	1.8	10
KR 14/15	322030	TR13	2.4	10
MR 14/15	322040	TR13	2.8	10
GR/KR 16	322050	TR13	2.0	10
GR/KR 16	322190	TR15CW	1.8	10

RADIAL LIGHT TRUCK

7.00/7.50R 15	322070	TR150	2.4	10
7.00/7.50R 15	322230	TR13CW	2.3	10
7.00/7.50R 16	322060	TR150	2.5	10
7.00/7.50R 16	322200	TR13	2.5	10
7.00/7.50R 16	322210	TR440	2.6	10
7.00/7.50R 16	322220	TR15CW	2.5	10
7.00/7.50R 16	322430	TR13CW	2.4	10
7.00/7.50R 17/18	322440	TR440	3.5	10

RADIAL HEAVY TRUCK

8.25R 20	322080	TR442	4.9	4
9.00R 20	322090	TR443	6.5	4
10.00R 20 12/80R - 20	322100	TR444	7.2	4
11.00R 20 13/80R - 20	322110	TR444	8.4	4
12.00R 20 14/80R - 20	322460	TR444	8.6	4
10.00R 22	322270	TR444	8.1	4
11.00R 22	322280	TR444	8.1	4

HEAVY DUTY BIAS

10.00 - 20	322330	TR444	6.8	6
------------	--------	-------	-----	---

RV & WIDE BASE TRUCK BIAS & SKID STEER

9.50/10 - 16.5LT	322480	TR15CW	3.9	6
12 - 16.5	322490	TR15CW	3.9	6
10/11R - 15LT	322310	TR13	3.9	6
9.50/10R - 16.5LT	322320	TR15CW	4.0	6

For tube stem and valve stem information and specifications, refer to most recent Tire & Rim Association publications.



LOW PLATFORM RADIAL

Size	Product Code	Valve	Unit Weight	Units Per Case
7.00/7.50R 15TR	322450	TR440	2.4	6
8.25R 15TR	322240	TR444	3.1	6
9.00/10.00/11.00R 15TR	322250	TR444	3.9	6

MOBILE HOME BIAS

7/8/9 - 14.5MH	322290	TR300	2.9	6
----------------	--------	-------	-----	---

OTR/ CONSTRUCTION/SKID STEER

8.3/9.5/12.5 - 18/20	322000	TR15CW	3.8	6
13.00/14.00 - 24 TG	322340	TR220A	16.9	1

RADIAL OTR/ CONSTRUCTION/SKID STEER

14R17.5	323111	TR300	5.5	3
15R19.5	323131	TR15CW	7.1	3
13.00/14.00R24 TG	322341	TR220A	16.9	1
17.5R25	323661	TRJ1175C	14.3	1
20.5R25	323671	TRJ1175C	18.7	1
23.5R25	323681	TRJ1175C	25.5	1

HEAVY DUTY INDUSTRIAL LIFT/FORK TRUCK MINING

5.70/5.00 - 8	323820	JS2	0.99	36
5.70/5.00 - 8NHS				
4.80/4.00 - 8/9NHS	322410	JS2	0.60	12
7.00 - 12NHS	322420	TR440	2.40	6
6.90/6.00 - 9	323830	JS2	1.50	28
6.50 - 10	323840	JS2	1.76	22
7.50/8.25-15 COMBO	323850	TR440	3.00	14
28 x 9 - 15	323860	TR440	3.00	14
8.25 - 15	323870	TR442	3.40	12
2.50 - 15	323880	TR440	2.47	11
3.00 - 15	323890	TR440	3.53	10
28 x 12 - 15	323900	TR440	3.75	10
32 x 12 - 15	323910	TR440	3.99	10
7.50 - 16	323940	TR440	3.02	14
29 x 8 - 15	323920	TR440	3.00	14

FARM FRONT BIAS

Size	Product Code	Valve	Unit Weight	Units Per Case
4.00/5.90/6.00-15SL	322350	TR15	1.4	6
5.50/5.90/6.00/6.40-15/16SL	322120	TR15	1.8	6
6.50/7.00/7.50/8.00-15/16SL	322360	TR15	2.5	6
10.00 - 15/16SL	322130	TR15CW	4.1	6
11.00 - 16SL	322370	TR15CW	3.9	6
6.50/7.00/7.50 - 18SL	322140	TR15	2.9	6
4.00 - 18/19SL	322380	TR15	1.3	6
8.3/9.5/12.5 - 18/20	322000	TR15CW	3.8	6

REAR FARM RADIAL

11.2/12.4R-24	323960	TR218A	6.7	4
7.5R24SL, 7.5/8.3/9.5-24	323601	TR218A	6.6	8
13.6/14.9R - 24	323950	TR218A	10	3
14.9 - 16.9/17.5LR-24	323760	TR218A	12.8	3
18.4/19.5L/21LR-24	323770	TR218A	16.3	2
11.2/12.4R-28,				
11.25R28SL	323591	TR218A	8.5	3
13.6/14.9R - 28/30	323750	TR218A	12.1	3
13.6/14.9R - 26/28	324110	TR218A	10.6	3
16.9/18.4R - 26/28	323730	TR218A	14.9	2
14.9R - 30	323741	TR218A	13.2	3
16.9/18.4R - 30	323780	TR218A	16.7	2
11.2R - 34,				
11.2/12.4R - 36	323651	TR218A	9.1	3
24.5 R - 32	323742	TR218A	24.8	2
13.6/14.9R - 34	324120	TR218A	12.1	3
16.9/18.4R - 34	323700	TR218A	18.2	2
13.6/14.9 R - 36	323621	TR218A	15.4	3
11.2/12.4 R - 38	323631	TR218A	9.1	3
14.9R-36,13.6/14.9/15.5R-38	323720	TR218A	15.4	3
16.9/18.4R - 38	323690	TR218A	19.4	2
20.8R - 38	323710	TR218A	25.3	2
18.4/20.8R - 42	323740	TR218A	20.5	2
16.9/18.4R - 46	323693	TR218A	22.6	2

HD SEVERE SERVICE-REAR FARM RADIAL

16.9/18.4R - 38	323691	TR218A	21.4	1
18.4/20.8R - 42	323692	TR218A	26.0	1
16.9/18.4R - 46	323694	TR218A	25.8	1

For tube stem and valve stem information and specifications, refer to most recent Tire & Rim Association publications.



Tubes/Flaps

Lawn & Garden, Industrial, ATV, Golf Car, Truck, Passenger, Farm, Grader & Mining Applications

FARM IMPLEMENT BIAS

Size	Product Code	Valve	Unit Weight	Units Per Case
8.5/9.5/11L-14 and 8.5/9.5L15	322390	TR13	2.9	6
11L - 15/16SL	322150	TR218A	4.2	6
11L - 15/16SL	322400	TR15CW	3.8	6
12.5 - 15/16SL	322470	TR218A	3.8	6
12.5 - 15/16	323810	TR15CW	3.8	6
13.6/14L-16.1	320032	TR218A	7.2	7
16.5/18.4L-16.1	320033	TR218A	10.1	4
21.5L-16.1	320034	TR218A	12.1	2

TUBELESS VALVE STEMS

Size	Product Code	Rim Hole Dr (inch)	Length (inch)
TR412	010200000007	0.453	0.88
TR413	010200000005	0.453	1.25
* High Pressure TR600HP*	010200000008	0.453	1.27

RADIAL INDUSTRIAL FLAPS

8R3.0	05508	0.44	20
8R7.0	12311	1.6	15
9R6.7	11009	0.66	20
10R6.7	12310	0.68	15
12R6.0	12812	0.88	15
15R10.00	19015	3.97	10
16R6.50/7.00/7.50/8.25	17016	2.54	14
15R6.50/7.00/7.50/8.25	17015	2.38	14
20R7.50/8.25	17020	3.42	10
20R8.25	18020	3.53	8
20R9.00/10.00	20520	4.63	7
22R10.00/11.00	20522	5.29	6
20R11.00/12.00	21020	5.84	6
20R13.00/14.00	23020	7.05	4
24R11.1- Off Center	19016	6.9	4
24R11.1- Center	21024	6.9	5

For tube stem and valve stem information and specifications, refer to most recent Tire & Rim Association publications.



Tubes/Flaps

Inner Tube Fitment Charts - Industrial, Fun-Kart, Lawn & Garden Sizes

INNER TUBE FITMENT CHART

Size	Product Code	Valve	Also Fits
4.10/3.50 - 4	320100	TR-87	11 x 4.00 - 4
4.10/3.50 - 5	320200	TR-87	11 x 4.00 - 5
13 x 5.00 - 6	320260	TR-87	12 x 5.00 - 6, 14 x 4.50 - 6
5.30/4.50 - 6	320270	TR-87	13 x 6.50 - 6, 14.5/7.00 - 6
18 x 6.50/7.50 - 8	320410	TR-13	18 x 8.50/9.50 - 8, 20 x 8.00/9.00/10.00 - 8
23 x 8.50/9.50 - 12	321370	TR-13	22 x 7.50/9.00 - 12, 23/24 x 10.50 - 12
26 x 12.00 - 12	321050	TR-13	24 x 12.00 - 12, 26 x 10.50 - 12

Inner Tube Fitment Charts - ATV Tires

RADIAL ATV TUBE FITMENT CHART

AT21/22 x 11/12R8	320440	TR6	18 x 8-8	AT20 x 7-8	AT22 x 9R8	AT21 x 8R9
			18 x 8.5/9.5-8	AT20 x 10/11-8	AT22 x 10R8	AT20 x 7R9
			18 x 10/11-8	AT21 x 10/11R8	AT22 x 11R8	AT22 x 7R9
			19 x 8.5/9.5-8	AT21 x 12R8	AT22 x 12R8	AT23 x 8R9
			19 x 10/11-8			AT22 x 11R9
AT25 x 12/13R9	321520	TR6	AT24 x 11R9	AT25 x 11R9	AT24 x 11R10	AT26 x 12R10
			AT24 x 12/13R9	AT25 x 12R9	AT25 x 11R10	
			24 x 13.5-9		AT25 x 12R10	
			25 x 13.5-9			
AT20 x 8/10R10	320771	TR6	AT18 x 10R10	AT21 x 7R10	AT22 x 8R10	AT23 x 9R10
			AT18 x 11R10	AT22 x 7R10	AT22 x 10R10	AT23 x 10R10
			20 x 7.5-10	AT23 x 7R10	AT22 x 11R10	
			AT20 x 8R10		22 x 12.5-10	
			AT20 x 10R10			
AT22/23 x 8R11/12	321371	TR6	AT23 x 8-11	AT23 x 8R12	AT23 x 10R12	
			AT24 x 8-11	AT24 x 8R12	AT24 x 10R12	
			AT24 x 9-11	AT25 x 8R12	AT25 x 10R12	
			23.5 x 8-11	AT23 x 9R12		
AT24/26 x 12R12	321051	TR6	AT24 x 12R12	AT25 x 8R11/12	AT26 x 10R12	AT25 x 11R12
			AT25 x 12/13R12	AT26 x 8R11/12	AT26 x 12R12	AT26 x 11R11/12
				AT27 x 8R11/12		AT27 x 11/12R12
AT26X8/9R14	324500	TR6	AT26X8R14			
			AT26X9R14			

Inner Tube Fitment Charts - LT Tires

RADIAL LT TUBE FITMENT CHART

700/750R15LT GR/HR/LR15LT	322230	TR13CW	670R/710R750R15LT	P215/75R15
				P235/75R15
				P245/70R15
				P255/70R15
700/750R15	322070	TR150	670R/710R750R15LT	P235/245/70R15
			LT215/235/75R15	P255/65R15
				P255/60R15
700/750R16LT	322060	TR150	GR/HR/LR16LT	
			LT215/235/85R16	
			LT225/245/265/75R16	

For tube stem and valve stem information and specifications, refer to most recent Tire & Rim Association publications.



Tubes/Flaps

Inner Tube Fitment Charts - LT Tires

RADIAL LT TUBE FITMENT CHART, CONTINUED

Size	Product Code	Valve	Also Fits
700/750R16LT	322200	TR13	LR78-16LT
			LT235/65R16
			P265/75R16
			P235/75R16
			LT225/70R16
			LT235/70R16
			P215/225/75R16LT
700/750R16LT	322220	TR15CW	P225/70R16
			P245/70R16
			P225/235/85R16
			P255/70R16
			P235/65R16
			P255/60R17
			P235/70R17
700/750R16LT	322210	TR440	P265/60R17
			P255/60R17
			P235/65R17
			P235/65R17
700/750R16LT	322430	TR13CW	LT215/235/85R16
			MR16HD
			LT255/70R17
			LT235/65R17
700/750R17/18	322440	TR440	LT255/60R17
			LT235/65R17
9.50/10R16.5	322320	TR15CW	31 x 10.50R16.5LT
			LT265/60D16.5
12R16.5LT	323990	TR15CW	33 x 12.50R16.5LT
			305/70D16.5NHS
			305/90D16.5NHS

Inner Tube Fitment Charts - Rear Farm Tires

REAR FARM RADIAL

Size	Product Code	Valve	Also Fits
11.2/12.4R-24	323960	TR218A	320/85R24
13.6/14.9R-24	323950	TR218A	340/85R24, 380/85R24
14.9-16.9/17.5LR-24	323760	TR218A	460/70R24
18.4/19.5L/21LR-24	323770	TR218A	500/70R24, 540/70R24
13.6/14.9R-28/30	323750	TR218A	340/85R28, 380/85R28, 380/85R30
13.6/14.9R-26/28	324110	TR218A	340/85R28, 380/85R28
16.9/18.4R-26/28	323730	TR218A	480/80R26
14.9R-30	323741	TR218A	380/85R30
16.9/18.4R-30	323780	TR218A	420/90R30, 480/80R30
24.5R-32	323742	TR218A	650/75R-32
13.6/14.9R-34	324120	TR218A	380/85R34
16.9/18.4R-34	323700	TR218A	420/85R34, 480/85R34
11.2/12.4R-38	323631	TR218A	290/90R-38
14.9R-36, 13.6/14.9/15.5R-38	323720	TR218A	380/80R38
16.9/18.4R-38	323690/323691	TR218A	480/80R38
20.8R-38	323710	TR218A	520/85R38
18.4R/20.8R-42	323740/323692	TR218A	480/80R42, 520/85R42
16.9/18.4R-46	323693/323694	TR218A	420/80R46, 480/80R46

For tube stem and valve stem information and specifications, refer to most recent Tire & Rim Association publications.



Tubes/Flaps

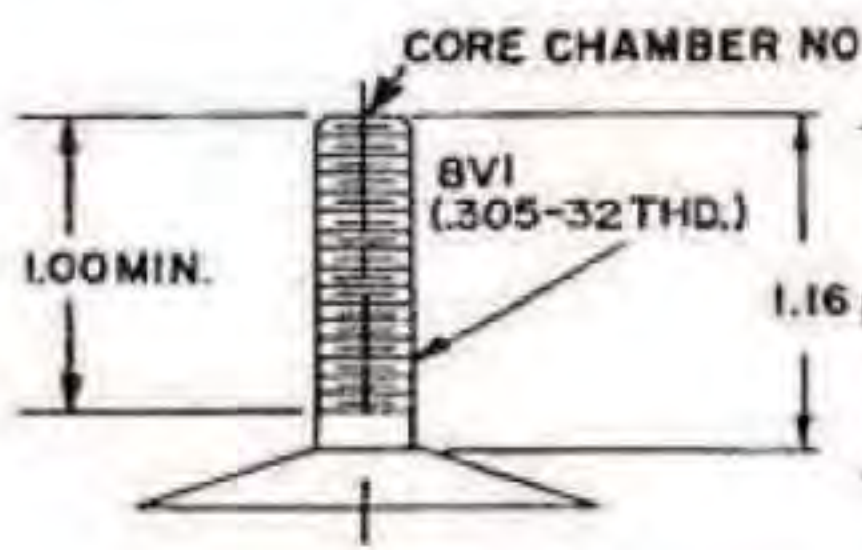
Inner Tube Fitment Charts - Passenger/Trailer tires

PASSENGER TUBE FITMENT CHART

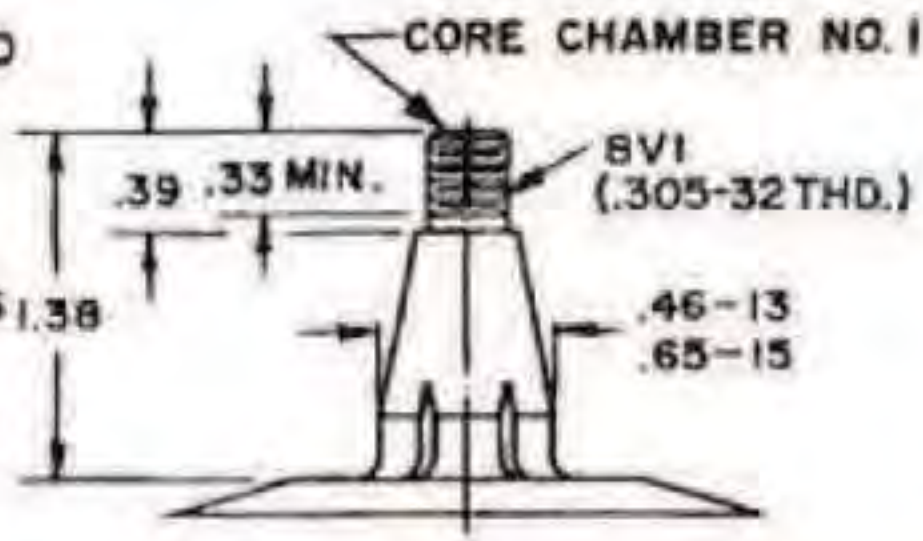
Size	Product Code	Valve	Also Fits
DR 12/4.00/4.50/4.80/5.30-12	323844	TR-13	DR12
			4.00-12
			4.50-12
			4.80-12
ER 12/13	322160	TR-13	A78-13
			135R12
			145R12/13
			155R12/13
			165R13
FR 13/14	322010	TR-13	A78-13/14
			B78-13/14
			A70-13
			B70-13/14
			A60-13/14
			B60-13/14
			175R13
			155R14
FR 15	322170	TR-13	A78-15
			B78-15
			B70-15
			155R15
			165R15
GR 13/14/15	322020	TR-13	C78-13/14/15
			D78-13/14/15
			E78-14/15
			F78-14/15
			C70-13/14/15
			D70-13/14/15
			E70-14/15
			F70-14/15
			C60-14/15
			D60-14/15
			E60-14/15
			F60-14/15
			G78-14/15
			H78-14/15
G70-14/15			
KR 14/15	322030	TR-13	G78-14/15
			H78-14/15
			G70-14/15
			H70-14/15
			H60-14/15
			G60-15
			205R14/15
			215R14/15
			J78-14/15
			K78-15
L78-15			
MR 14/15	322040	TR-13	N78-15
			J70-14/15
			K70-15
			L70-15
			J60-14
			L60-14/15
			F78-16
			H78-16
GR/KR 16	322050	TR-15	L78-16
			LR78-16
			7.00R16
			7.50R16
GR/KR 16	322190	TR-15CW	F78-16
			H78-16
			L78-16

For tube stem and valve stem information and specifications, refer to most recent Tire & Rim Association publications.

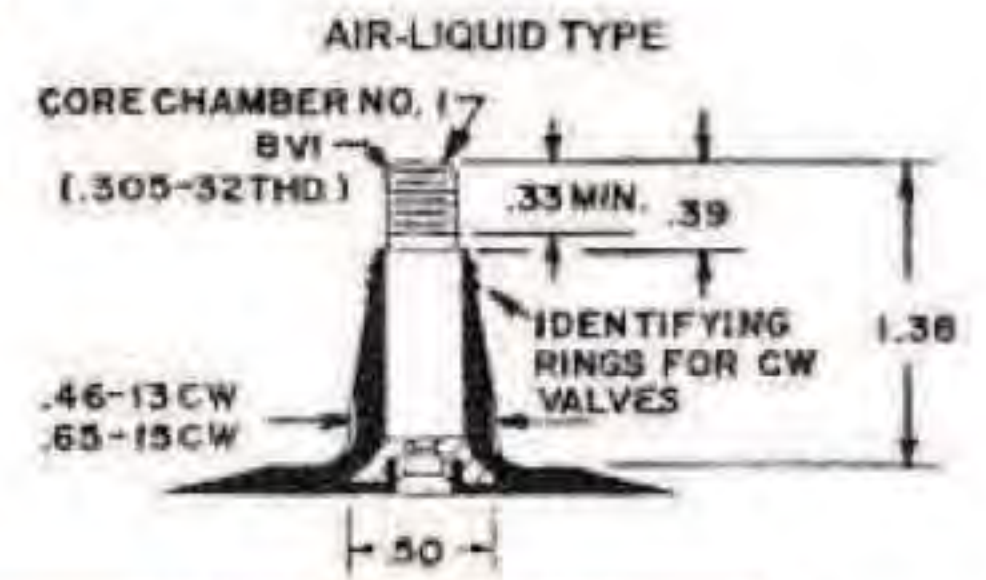
Tubes/Flaps - Tube Stems



TR 4

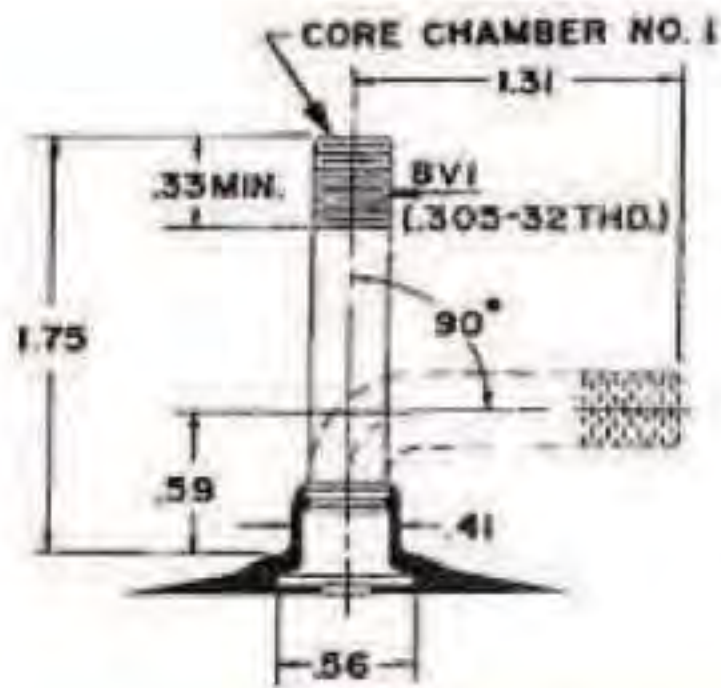


TR 13 (TR15)

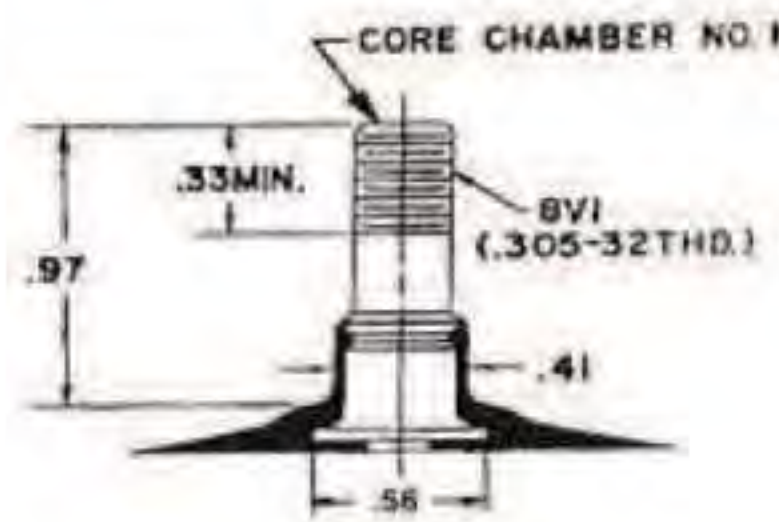


TR 13CW-TR 15CW*

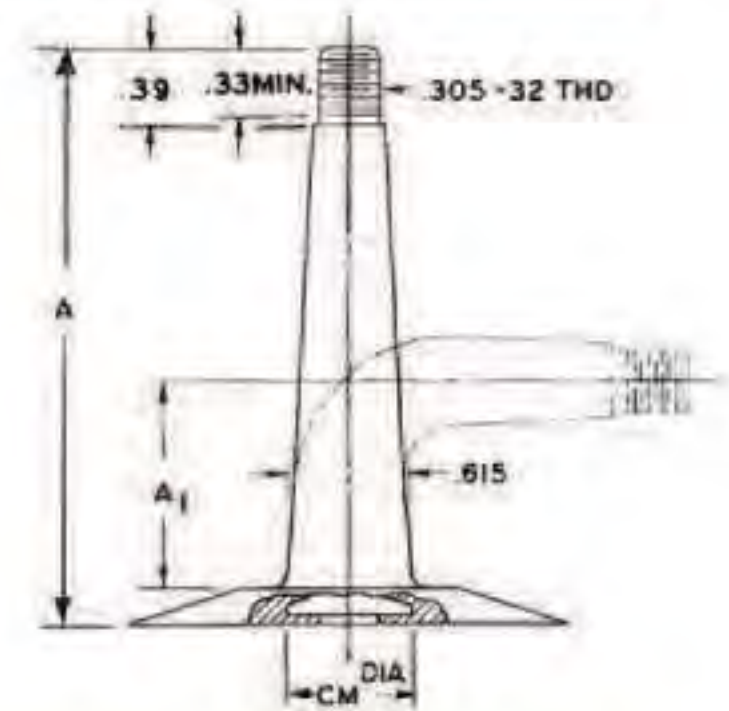
*TO BE USED WHERE LIQUID FILL IS USED IN TUBES



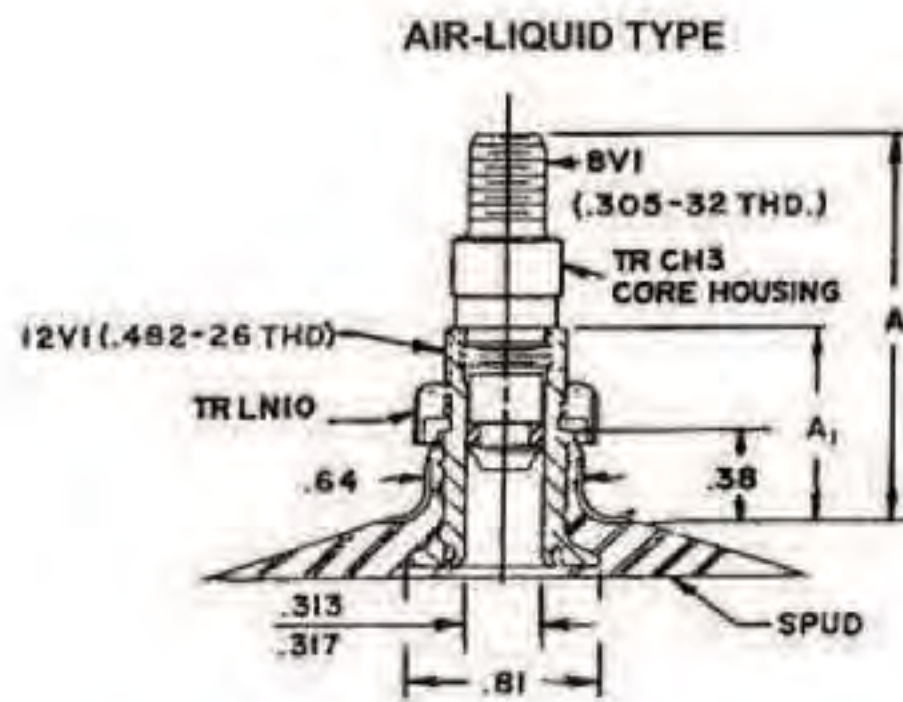
TR 87



TR 87S



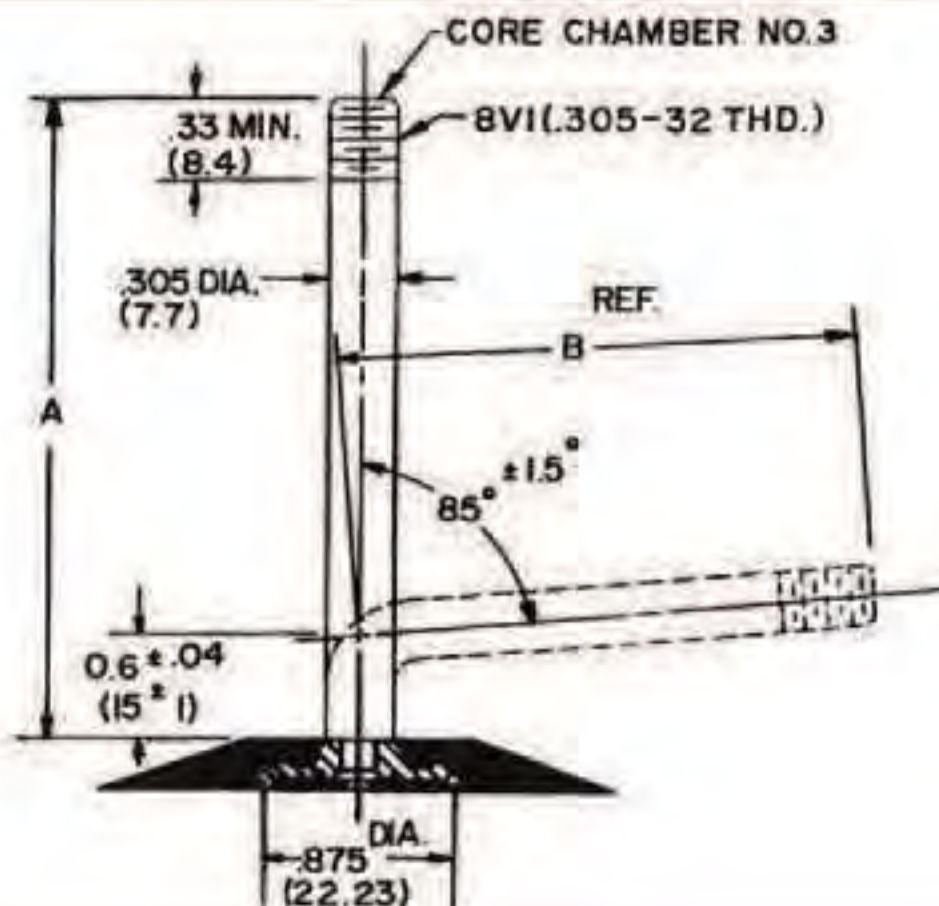
TR 150



TR 218A/220A SERIES

	A	B
TR 218A	3.35"	3.0"
TR 220A	4.53"	4.1

TR 218A/220A



TR 440 SERIES

	A	B
TR 440	3.35"	3.0"
TR 442	4.53"	4.1"
TR 443	4.92"	4.5
TR 444	5.51"	5.1

TR 440 SERIES

IMPORTANT: FOR ADDITIONAL TUBE STEM INFORMATION, REFER TO TIRE & RIM ASSOCIATION PUBLICATIONS.

Limited Warranty

Highway / Non-Highway Tire Warranty

SPECIALTY TIRE WARRANTY

Carlisle Transportation Products ["CTP"] warrants, subject to the terms, conditions and limitations stated herein, CTP's tires and wheels to be free from defects in materials and workmanship.

CTP's liability for tires and wheels shall be limited to replacement of any defective tire or wheel plus any applicable taxes.

1. **THE CARLISLE TRANSPORTATION PRODUCTS WARRANTY ["Warranty"]** applies only to the Original Purchaser of the CTP tires and/or wheels for TWO YEARS from the date of purchase.
 - (a) The Warranty for the coating of the wheel is for a period of ninety (90) days from the date of purchase.
2. The Warranty is void if the tire or wheel fails due to damage from improper inflation pressures, exceeding the maximum speed limit, or overloading the tire beyond the maximum load capacity stated on the sidewall.
3. The Warranty does not cover incidental or consequential damages, including, but not limited to, lost time, inconvenience, loss of vehicle use, cost of towing or transportation, related property damage or consequential damages of any type or nature.
4. The Warranty does not cover mounting and balancing charges.
5. The Warranty is void if a covered tire is worn past last 3/32 of tread depth at any point on the tread contact surface.
6. The Warranty **DOES NOT** apply to the following:
 - (a) continued use while run flat or under a state of acute under-inflation
 - (b) tire damage or irregular wear due to road hazard, including puncture, cut, impact break, bulge, snag, stone drill, or collision
 - (c) repaired tubes, tires or wheels
 - (d) tires or wheels used in racing or competition
 - (e) tires or wheels subjected to overloading, improper mounting, use of an incorrect rim, purposeful abuse or chemical contamination
 - (f) tires or wheels which have been patched, plugged or repaired or into which liquid balancers or sealants have been introduced
 - (g) cosmetic irregularities
7. CTP makes no expressed claims of expected tire wear. Variables that affect tire wear are driving conditions, load and tire inflation pressure.

To obtain warranty adjustments or warranty information contact your CTP dealer or call CTP's Customer Care Unit at 1-800-260-7959 or fax to 1-800-352-0075. Claims must be made within 30 days of discovery of irregularity. CTP reserves the right to inspect all products before making adjustments.

THERE ARE NO WARRANTIES EITHER EXPRESSED OR IMPLIED, INCLUDING THE IMPLIED WARRANTIES OF MERCHANTABILITY AND FITNESS FOR A PARTICULAR PURPOSE, WHICH EXTEND BEYOND THE DESCRIPTION ON THE FACE HEREOF. CTP SHALL NOT BE LIABLE FOR ANY INCIDENTAL OR CONSEQUENTIAL DAMAGES. NO REPRESENTATIVE OF CTP HAS AUTHORITY TO MAKE ANY REPRESENTATIONS OR PROMISES EXCEPT AS STATED HEREIN.

Some states do not permit limitations on the period of an implied warranty and do not permit the exclusion or limitation of incidental or consequential damages, therefore the above limitations or exclusions may not apply. This warranty provides specific legal rights. Other rights may vary according to the state/province in which the original purchaser is located.

NOTE: All Specifications subject to change without notice Rev. 11/09

Highway / Non-Highway Tube Warranty

TUBE WARRANTY

Carlisle Transportation Products ["CTP"] warrants, subject to the terms, conditions and limitations stated herein, its Highway/Non-Highway Tubes (tubes) to be free from defects in materials and workmanship.

1. **THE CTP WARRANTY ["Warranty"]** applies only to the original purchaser of the tubes and only if they are used in the service for which they are intended. Rear tractor tubes are warranted for a period of five (5) years from date of manufacture. All other tubes are warranted for a period of three (3) years from date of manufacture. A covered tube will be warranted in the following manner:
 - (a) replace tube
 - (b) refund cost of tube (proof of purchase required)
2. The Warranty is void if the tube fails due to damage from improper inflation pressures, exceeding or overloading the tube/tire beyond the maximum load capacity stated on the sidewall.
3. The Warranty does not cover incidental or consequential damages, including, but not limited to, lost time, inconvenience, loss of vehicle use, cost of towing or transportation, related property damage or consequential damages of any type or nature.
4. The Warranty does not cover mounting and balancing charges.
5. The Warranty **DOES NOT** apply to the following:
 - (a) repaired tubes
 - (b) tubes used in racing or competition
 - (c) tubes subjected to road hazards (punctures, cuts, stubble damage, impact, valve pulled from tube, etc), overloading, under-inflation, mounting damage, fitment to incorrect rim, purposeful abuse or chemical contamination
 - (d) tubes into which liquid balancers or sealants have been introduced
 - (e) cosmetic irregularities
 - (f) weather checking caused by improper storage

To obtain warranty adjustments or warranty information contact your CTP dealer or call CTP's Product Service Department at 1-800-260-7959 or fax to 1-800-352-0075. Claims must be made within 30 days of discovery of defect. CTP reserves the right to inspect all products before making adjustments. THERE ARE NO WARRANTIES EITHER EXPRESSED OR IMPLIED, INCLUDING THE IMPLIED WARRANTIES OF MERCHANTABILITY AND FITNESS FOR A PARTICULAR PURPOSE, WHICH EXTEND BEYOND THE DESCRIPTION ON THE FACE HEREOF. CT&W SHALL NOT BE LIABLE FOR ANY INCIDENTAL OR CONSEQUENTIAL DAMAGES. NO REPRESENTATIVE OF CTP HAS AUTHORITY TO MAKE ANY REPRESENTATIONS OR PROMISES EXCEPT AS STATED HEREIN.

Some states do not permit limitations on the period of an implied warranty lasts and do not permit the exclusion or limitation of incidental or consequential damages, therefore, the above limitations or exclusions may not apply. This warranty provides specific legal rights. Other rights may vary from state/province to state/province.

NOTE: All specifications subject to change without notice.

Agricultural Tire Warranty

Workmanship & Materials Warranty

WARRANTY

THE CARLISLE TRANSPORTATION PRODUCTS WARRANTY ["Warranty"] warrants, subject to the terms, conditions and limitations stated herein, tires to be free from defects in materials and workmanship.

CTP's liability for tires and wheels shall be limited to replacement of any defective tire or wheel plus applicable taxes.

- This warranty applies to the original consumer of the CTP product(s) for a period of five (5) years from the date of purchase or from the date of tire manufacture. (Proof of purchase must be provided by consumer if using date of purchase as basis for service time.)
- This warranty **DOES NOT** cover incidental or consequential damages, including, but not limited to, lost time, lost wages, inconvenience, loss of equipment use, cost of service work or transportation, related property damage, personal injury or consequential damages of any type or nature.
- What is warranted?** This warranty applies to CTP brand Front Farm, Implement, and Rear Tractor Tires, purchased after 06/30/08. (Skid Steer Tires are covered under our Specialty Tire Warranty). If any tire becomes unserviceable due to defective workmanship or materials, (conditions which may be within CTP's control), CTP will replace the defective product with an equivalent new CTP Tire on a pro rata basis.
- This warranty is void if a covered tire is worn past 3/32" of Tread depth at any point on the tread contact surface.
- Any tires submitted for ride condition, issues must be presented by the consumer within the first six (6) months of service if accompanied by Proof of Purchase.
- This warranty **DOES NOT** cover mounting, balancing, or related service/labor charges.
- This warranty **DOES NOT** apply to the following:
 - FIELD HAZARD OR STUBBLE DAMAGE (cuts, snags, punctures, chunk in tread or shoulder area, penetration from foreign objects and stubble related tire damage).
 - Overloading, improper inflation pressure, and/or resulting run flat failures.
 - Misapplication of tire or wheel components.
 - Improper repair or insertion of balancing materials or sealant.
 - Tires damaged due to chemical contamination.
 - Improper mounting or tire storage conditions.
 - Tires used in pulling contests.
 - Cosmetic irregularities or tires marked "NA" (Non-Adjustable)
 - Skid Steer Tires (See Specialty Tire Warranty)
- Warranty Pro Rata Calculations**
All calculations will be based on the date of tire manufacture or the date of purchase. If using date of purchase as basis for service time, the consumer must supply the original proof of purchase.

After the "No Charge" period, pro rata replacement tire charges are calculated as follows:

Workmanship and Materials Coverage

Service Time	Replacement Tire Charge to Consumer
	Agricultural
Up to 1 Year	No Charge
During 2nd Year	20% Charge
During 3rd Year	35% Charge
During 4th Year	50% Charge
During 5th Year	70% Charge

To determine the replacement price to the consumer, the pro rata percentage charge is multiplied by the CTP Tire dealer's current selling price on an equivalent CTP Tire. Appropriate taxes, mounting, or other service charges will be added to the replacement price, which is the responsibility of the consumer.

- CTP makes no express claims of expected tire wear. Variables that effect tire wear include service and soil conditions, as well as load and tire inflation pressures.

To obtain warranty adjustments or warranty information contact your CTP dealer or call CTP's Customer Care Unit at 1.800.260.7959 in the USA or 1.800.265.6155 in Canada. Claims must be made within thirty (30) days of discovery of defect.

CTP reserves the right to inspect all products before making adjustments.

Field Hazard & Stubble Damage Warranty

Although Agricultural Field Hazards and Stubble Damage are **NOT** the result of defects in workmanship and materials, Carlisle Transportation Products ("CTP") as elected to share the burden with the original purchaser when excessive Stubble Damage or Field Hazards render a tire unusable.

- Field Hazard- is defined as cuts, snags and punctures incurred during normal agricultural service that may render a tire unserviceable.
- Stubble Damage- is defined as the tire damage caused by severe abrasions and scarring, due to field debris, crop residue, and field stubble, which eventually render the tire unusable

What is warranted? CTP will extend a Field Hazard and Stubble Damage Policy for CTP brand R-1, R-2 and R-3 agricultural tires used in normal agricultural service for three (3) years from the date of the purchase or date of the manufacture. (proof of purchase must be provided by the consumer if using date of purchase as basis for service time.)

- What IS NOT** covered by this Field Hazard/Stubble Damage Policy:

- Improper mounting or tire storage conditions.
- Misapplication of tire or wheel components.
- Overloading, improper inflation pressure, and/or resulting run flat failures.
- Accident, collision, fire or vandalism.
- Improper repair or insertion of balancing materials or sealant
- Tires damaged due to chemical contamination.
- Tires used in pulling contests.
- Cosmetic irregularities or tires marked "NA" (Non-Adjustable)

- This warranty **DOES NOT** cover incidental or consequential damages, including, but not limited to, lost time, lost wages, inconvenience, loss of equipment use, cost of service work or transportation, related property damage, personal injury or consequential damages of any type or nature.
- Warranty Pro Rata Calculations for Field Hazard/Stubble Damage Coverage
All calculations will be based on the date of tire manufacture or the consumer's date of consumer's purchase. If using date of purchase, the consumer must provide the original proof of purchase.

Pro rata replacement charges are calculated as follows:

Field Hazard and Stubble Coverage

Service Time	Replacement Tire Charge to Consumer
Up to 1 Year	25% Charge
During 2nd Year	50% Charge
During 3rd Year	75% Charge
End of 3rd Year	Coverage Expires

To determine the replacement price to the consumer, the pro rata percentage charge is multiplied by the CTP dealer's current selling price on an equivalent CTP tire. Appropriate taxes, mounting, or other service charges will be added to the replacement price which is the responsibility of the consumer.

- CTP makes no express claims of expected tire wear. Variables that effect tire wear include service and soil conditions, as well as load and tire inflation pressures.

To obtain warranty adjustments or warranty information contact your CTP dealer or call CTP's Customer Care Unit at 1.800.260.7959 in the USA or 1.800.265.6155 in Canada. Claims must be made within thirty (30) days of discovery of defect.

CTP reserves the right to inspect all products before making adjustments.

THERE ARE NO REPRESENTATIONS OR WARRANTIES EITHER EXPRESS OR IMPLIED, INCLUDING THE IMPLIED WARRANTIES OF MERCHANTABILITY AND FITNESS FOR A PARTICULAR PURPOSE, WHICH EXTEND BEYOND THE DESCRIPTION OF THE WARRANTY STATED ABOVE. CTP SHALL NOT BE LIABLE FOR ANY INCIDENTAL OR CONSEQUENTIAL DAMAGES. NO REPRESENTATIVE OF CTP HAS AUTHORITY TO MAKE ANY REPRESENTATIONS OR PROMISES EXCEPT AS STATED HEREIN.

Aftermarket Styled Wheel Warranty Notice

Workmanship & Materials Warranty

CARLISLE WHEEL LIMITED WARRANTY

Steel Wheels. CTP warrants, subject to the terms, conditions and limitations stated herein, wheels to be free from defects in materials and workmanship. Wheels are warranted to be free from structural failure for as long as the original purchaser owns the product. CTP's liability for wheels shall be limited to replacement of any defective wheel plus applicable taxes, if any. The Warranty period for steel wheel coatings, including paint, chrome plating, clear coat or other coating, is ninety (90) days from date of purchase. Surface rust can be prevented by proper care and is not covered by this warranty.

Aluminum Wheels. CTP warrants aluminum alloy wheels to be free from defects in material and workmanship under normal and intended use for a period of one (1) year from retail purchase. Wheels are warranted to be free from structural failure for as long as the original purchaser owns the product.

This Warranty is in lieu of all other express and implied warranties, including warranties of merchantability and fitness for a particular purpose. CTP agrees to repair or replace, at the sole discretion of CTP, wheels that are returned for warranty inspection to 2233 E. Philadelphia St., Ontario, California 91761 (freight pre-paid), and which, after examination show that said product has failed in normal use and service due to material and/or workmanship. Call Warranty Dept. at 909.947.1831 for additional information.

CTP, by the sale of products to Distributors and Dealers engaged in the sale of automotive parts and accessories, makes no express or implied warranty or representation as to the quality of workmanship of said distributors and dealers or the ability of any individual connected therewith to render technical advice or assistance in connection with installation or use of CTP wheels. No distributor, dealer or other entity or individual is authorized to modify or amend this Warranty in any respect.

This warranty is void if:

- A. The product has been subject to misuse, damage in transit, accident, negligence, abuse, racing, off-road use, aftermarket modification, or has been repaired or altered in any way.
- B. The product(s) have not been installed according to instructions provided with the wheels or in accordance with tire and wheel industry standards.
- C. Wheels are installed with accessories other than CTP accessories.
- D. The original sales documents are not provided for verification.
- E. The wheel(s) are not fit-checked before mounting.

CTP assumes no responsibility for diagnosis, removal and installation labor, loss of vehicle use, loss of time, inconvenience, or other consequential expense.

CTP reserves the right to make changes in design, materials or specifications, or to make product changes without prior notice or obligation to incorporate same into purchased items. This Limited Warranty gives you specific legal rights and you may also have other rights which vary from state-to-state.

Notice:

Prices and product specifications included herein subject to change without notice. Product availability subject to inventory. All product images, photographs and representations herein based upon product information available at time of printing, some products may vary in appearance. See products for actual product depiction and configuration. Carlisle Transportation Products reserves the right to change, limit or discontinue at any time, without prior notice, products, product prices, finishes, materials, applications and other specifications, including Warranty provisions.

The brands, marks, models and products depicted herein, including all related images, logos, names and other marketing materials are the exclusive property of the Manufacturer, CTP. No part of this publication may be reproduced or transmitted in any form or by any means, electronic or otherwise, without written permission of Carlisle Transportation Products.

©Copyright 2011-12 Carlisle Transportation Products.
All rights reserved. Printed in U.S.A.

Trailer Tires: Tips & Best Practices

From a highway blowout to a construction trailer flat on the work site, trailer tire failure is an inconvenience that can be avoided. Use the correct tires, calculate the correct load and maintain the right inflation to avoid problems.

Use the Right Tire

Trailer tire requirements differ greatly from automotive or light truck tires. Trailer tires are designated "ST" for Special Trailer tires. Automotive tires are designated "P" for Passenger or "LT" for Light Truck and are not designed for trailer use. Passenger or truck tires, with their more flexible sidewalls, can result in trailer sway problems. The stiffer, heavy duty sidewalls of ST tires are designed to control and reduce sway problems. Trailer sway is dangerous at higher speeds, with top heavy loads or on vehicles with inadequate tongue weight.

- Trailer tires are designed for use on trailer axle positions only.
- Do not use P Passenger or LT Light Truck automotive tires on trailers.
- Do not use ST trailer tires on passenger cars or light trucks.
- An "LT" designation, when shown on a trailer tire size specifies load range only, it is not designed for use on light trucks.

The ST Difference

The construction, design, materials and testing used in ST Special Trailer tires meet the higher load requirements, duty cycles and special demands of trailering.

- Polyester cords in an ST tire are bigger than in a comparable P or LT tire.
- Steel cords used in ST tires have a larger diameter and greater tensile strength to meet additional load requirements.
- ST tire rubber compounds contain chemicals to resist weather and ozone cracking, particularly conditions resulting from extended storage and the unusual duty cycles of trailer tires.
- The slightly shallower tread depth of a trailer tire reduces sway and rides cooler, which adds to tire longevity.
- ST tires feature stiffer sidewalls, especially in the lower section which:
 - Reduces sidewall flexing causing the trailer to track straighter.
 - Diminishes the risk of trailer sway.
 - Lessens the risk of sidewall puncture and blowout.
- ST tires generally offer approximately 10% percent more load capacity than a similar LT tire and nearly 40% more than a P passenger tire.

Bias vs. Radial

Some ST trailer tires are bias-ply tires, which have crisscrossing cords of polyester and/or nylon. Trailer tires are also offered in radial construction. Radial trailer tires feature plies that run perpendicularly across the tire, with belts (some made of steel) running under the tread.

- Bias-ply trailer tires are recommended for tough, rugged performance and sidewall puncture resistance such as trailers used for construction, agriculture and some marine applications.
- Radial tires are recommended when smooth ride, tread wear, heat and extended tire life are important considerations. Depending upon the trailer duty cycle (storage time vs. actual time in use under load) the mileage expectation of radial trailer tire can be from 5,000 to 12,000 miles. However, under well maintained conditions, proper inflation and correct loads, considerably higher miles have been reported.

Load Limits

Trailers are used for one purpose, transporting loads. A major cause of trailer tire failure is overloading. It's important to know the weight of the actual load of the payload under tow, including all the toys, equipment, gas, gear, water and the trailer itself. An over-loaded tire will produce excessive heat in the sidewall and tread which can quickly cause tire degradation or blowout. Excessive heat is the number one cause of trailer tire failure. The problem increases in sunbelt areas where roadway surface temperatures are well above normal conditions.

All tires are manufactured to handle specific load limits, but in towing trailers, loads are the single greatest concern. Review the tire sidewall information and the vehicle owner's manual for vehicle load limits and proper tire inflation. Never exceed the maximum load rating stamped on the tire sidewall or the maximum vehicle load rating, whichever is less. If possible, try to distribute the load evenly across all tires so that no single tire is overloaded. Tongue weight, tongue height and especially load leveling hitches must be set properly to avoid overloading the trailer tires.

ST tires are branded with a load range (LRB, LRC, LRD, LRE and LRF) on the sidewall, listing load range letters in the sidewall description. For example, ST205/75R15LRD.

Discuss specific trailer uses to select the ST tire that is load rated for the situation.

- All tires must be identical in size for the tires to properly manage the weight of the trailer.
- The combined capacity of the tires must equal or exceed the Gross Vehicle Weight (GVW) of the axle.
- The combined capacity of all of the tires should exceed the loaded trailer weight by 20 percent.
- If a tire fails on a tandem axle trailer, replace both tires on that side.
- If the tires are replaced with tires of a larger diameter, the tongue height may need to be adjusted to maintain proper weight distribution.

Inflation

Underinflation is the number one cause of trailer tire failure. Low inflation pressure elevates tread temperature, especially as speed increases. A tire can lose up to half of its air pressure and not appear

to be flat. Check inflation with a quality tire gauge. Operation of a trailer tire that is 30 percent under-inflated can reduce tire lifespan by approximately 55%. An underinflated tire creates abnormal tire flexing and excessive heat causing the following:

- Tire damage and failure.
- Ride and handling disturbance.
- Reduction of tire life.
- Decreased fuel efficiency by as much as 10 percent.

Driving on tires with too much air is also not recommended. Over-inflated tires are more likely to cut, puncture or fail by sudden impact.

When replacing trailer tires, always use new valve stems.

Replacement of Trailer Tires

Trailer tires can be worn beyond use although they may appear to have adequate tread. This is because trailer tires support a lot of weight, even when not in use. It is actually better for a tire to be rolling down the road than to sit in storage, exposed to static weight and UV exposure. During use a tire releases compound lubricants that are beneficial to tire life. Using tires also assists in preventing flat spots from developing.

If one tire fails, the remaining tires will be required to suddenly compensate by supporting the increased load. This increase of weight may overload the other tires causing a chain reaction blowout or other internal structural damage. After a blowout, check the other tires for damage and replace all tires on the side of the blowout.

Best Practices

- Any tire, no matter how well constructed, may fail when in use because of punctures, impact damage, improper inflation, overloading, or other conditions resulting from use, misuse or neglect.
- High speed towing in hot conditions degrades tires significantly.
- Best practice. Do not exceed 60 mph while towing a trailer.
- Most ST trailer tires have a maximum speed rating of 65 mph.
- Load carrying capacity decreases as heat and stress generated by higher speed increases.
- Time and the elements weaken a trailer tire.
- 3 to 5 years is the average life expectancy of a trailer tire, regardless of mileage.
- It is estimated that in approximately three years, roughly one-third of a tire's strength is gone.
- After three years, depending upon storage and conditions of usage, consider replacing trailer tires even if they have tread depth remaining.
- After five years, trailer tires should be replaced in all cases.

Review - Practices for Safe Trailer Tire Use

- Select the correct tires to match the application and capacity requirements.
- Never use passenger car or truck tires for trailer use.
- Do not overload trailer tires, maximum loads are listed on the sidewall of the tire.
- Maintain air pressure at the maximum PSI recommended on the tire sidewall.
- Check tire pressure when tires are cold and in the shade.
- Use a cap on valve stems to prevent contamination of the internal rubber valve.
- Always travel with a spare and check the spare air pressure along with the other tires.
- Perform a visual inspection of trailer tires before each trip, inspecting for cuts, bulges, punctures or signs of anything unusual.
- Inspect trailer wheels. If rims are bent or cracked, replacement or repair may be necessary.
- Keep trailer tires in a cool dry place and out of direct sunlight during storage.
- Use tire covers to protect tires from the harsh effects of direct sunlight, moisture and temperature extremes.
- During extended storage, use a thin piece of wood or other surface barrier under tires to extend tire life. For seasonal or extreme long term storage, elevate the trailer on blocks to take the weight off the tires. Reduce the air pressure and cover the tires to protect them from direct sunlight.
- Replace trailer tires every three to five years.
- If you experience a series of successive blowouts, something is wrong with your setup, it is not a tire problem.

When it's replacement time, Carlisle offers a complete line of tires designed for most towing applications. Whether your precious cargo is your new bass boat, construction equipment or a family travel trailer, enjoy long, safe travels using the correct tires, properly inflated and within the designated load capacity.

The Carlisle Radial TrailRH. Tow with Trust™

Official Tire - American Bass Anglers Tour.





TURF SAVER®
Page 6

TURF SAVER II
Page 7

TURF TRAC R/S
Page 7

TURF MASTER®
Page 8-9

Lawn, Garden and Golf- Outdoor Power Equipment



FAIRWAY PRO
Page 13

STUD
Page 14

SAWTOOTH
Page 14

SUPER LUG
Page 15



BADLANDS XTR
Page 24

BLACK ROCK
Page 25

HD FIELD TRAX
Page 26

KNOBBY
Page 26

ATV/UTV - Powersports



ULTRA SPORT RADIAL
Page 42

RADIAL TRAIL RH
Page 43

USA TRAIL
Page 44

SPORT TRAIL
Page 45

Trailers, Toy Haulers & Towables



WORK TURF
Page 53

ULTRA GUARD®
Page 54

ULTRA GUARD® LVT
Page 54

GUARD DOG® HD
Page 55

Ag/Construction